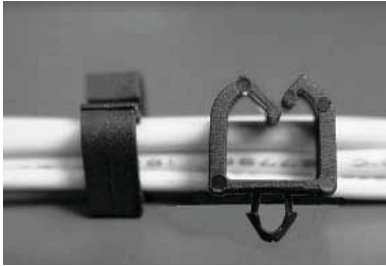


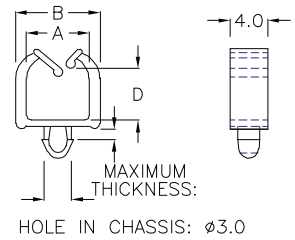
**Plastic Wire Saddles**  
Snap in Arrowhead Mount



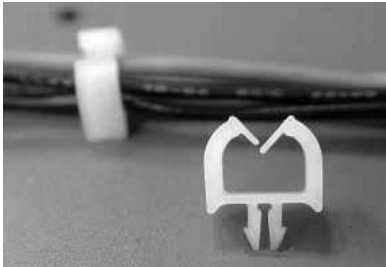
RoHS COMPLIANT

**Specifications:**

**Material:** Nylon 6/6  
**UL Rating:** 94V-2  
**Color:** Black



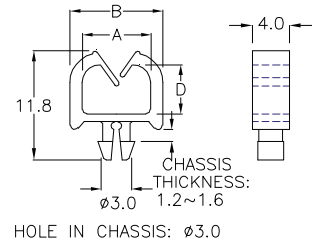
Part Number	Ref. "A", mm [in.]	Ref. "B", mm [in.]	Ref. "D", mm [in.]	Max. Panel Thickness, mm [in.]	Standard Package
Mounting Hole Dia. in chassis = ø3.0 mm [0.118 in.]					
PCMSP-CH-01A	6.7 [0.264]	9.0 [0.354]	5.5 [0.217]	1.2 [0.047]	2000
PCMSP-CH-01J	6.7 [0.264]	9.0 [0.354]	5.0 [0.197]	1.6 [0.063]	



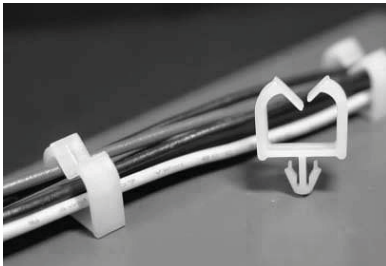
RoHS COMPLIANT

**Specifications:**

**Material:** Nylon 6/6  
**UL Rating:** 94V-2  
**Color:** Natural  
**UL Listed:** See Logo



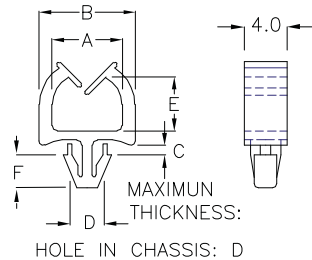
Part Number	Ref. "A", mm [in.]	Ref. "B", mm [in.]	Ref. "D", mm [in.]	Standard Package
Mounting Hole Dia. in chassis = ø3.0 mm [0.118 in.]				
Chassis Thickness = 1.2 - 1.6 mm [0.047 - 0.063 in.]				
PCMSP-CH-01S	7.4 [0.291]	10.0 [0.394]	5.0 [0.197]	2000



RoHS COMPLIANT

**Specifications:**

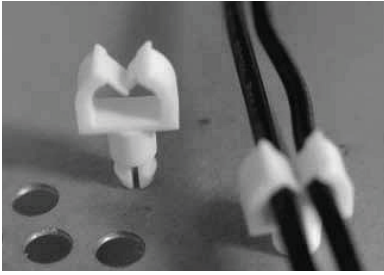
**Material:** Nylon 6/6  
**UL Rating:** 94V-2  
**Color:** Natural  
**UL Listed:** See Logo



Part Number	Ref. "A", mm [in.]	Ref. "B", mm [in.]	Max. Panel Thickness "C", mm [in.]	Mounting Hole Dia. "D", mm [in.]	Ref. "E", mm [in.]	Ref. "F", mm [in.]	Standard Package
PCMSP-CH-1HK	8.2 [0.323]	10.6 [0.417]	1.6 [0.063]	2.8 [0.108]	6.9 [0.272]	3.0 [0.118]	2000
PCMSP-CH-01B	8.2 [0.323]	10.6 [0.417]	1.6 [0.063]		6.9 [0.272]	3.1 [0.122]	
PCMSP-CH-1BK	8.3 [0.327]	10.7 [0.421]	1.6 [0.063]	3.0 [0.118]	6.9 [0.272]	2.1 [0.083]	
PCMSP-CH-01C	7.4 [0.291]	10.0 [0.394]	1.6 [0.063]		5.0 [0.197]	2.2 [0.087]	
PCMSP-CH-01M	6.5 [0.256]	9.0 [0.354]	0.8 [0.031]		5.0 [0.197]	3.1 [0.122]	
PCMSP-CH-01P	7.4 [0.291]	10.0 [0.394]	2.0 [0.079]	3.5 [0.138]	5.3 [0.209]	2.2 [0.087]	
PCMSP-CH-01U	8.3 [0.327]	10.7 [0.421]	1.6 [0.063]		7.0 [0.276]	2.5 [0.098]	
PCMSP-CH-01Q	6.6 [0.260]	9.0 [0.354]	1.0 [0.039]		4.9 [0.193]	3.0 [0.118]	
PCMSP-CH-01W	6.6 [0.260]	9.0 [0.354]	1.8 [0.071]	3.5 [0.138]	4.5 [0.177]	3.2 [0.126]	
PCMSP-CH-01N	9.0 [0.354]	11.6 [0.457]	1.2 [0.047]		5.3 [0.209]	2.7 [0.106]	

all dimension units in millimeter (mm) unless noted otherwise

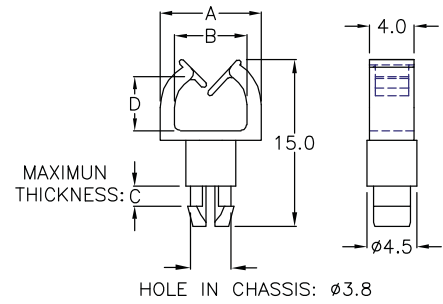
### Plastic Wire Saddles Snap in Arrowhead Mount



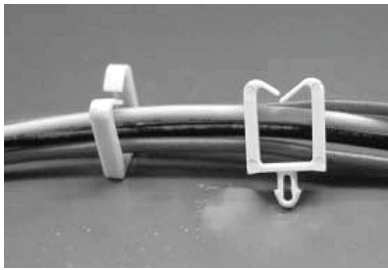
RoHS COMPLIANT

**Specifications:**

**Material:** Nylon 6/6  
**UL Rating:** 94V-2  
**Color:** Natural



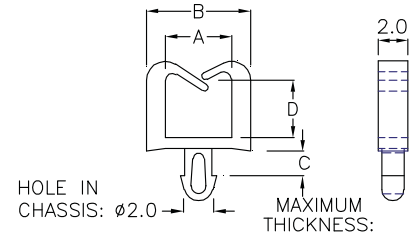
Part Number	Ref. "A", mm [in.]	Ref. "B", mm [in.]	Max. Panel Thickness "C", mm [in.]	Ref. "D", mm [in.]	Standard Package
Mounting Hole Dia. in chassis = ø3.8 mm [0.150 in.]					
PCMSP-CH-04A	9.1 [0.358]	6.5 [0.256]	1.6 [0.063]	4.8 [0.189]	1000



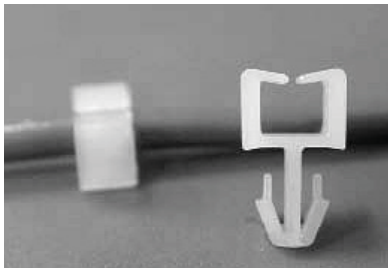
RoHS COMPLIANT

**Specifications:**

**Material:** Nylon 6/6  
**UL Rating:** 94V-2  
**Color:** Natural



Part Number	Ref. "A", mm [in.]	Ref. "B", mm [in.]	Max. Panel Thickness "C", mm [in.]	Ref. "D", mm [in.]	Standard Package
Mounting Hole Dia. in chassis = ø2.0 mm [0.079 in.]					
PCMSP-CH-01F	4.4 [0.173]	6.9 [0.272]	1.6 [0.063]	3.9 [0.154]	2000
PCMSP-CH-01K	3.3 [0.130]	5.7 [0.224]	1.6 [0.063]	3.6 [0.142]	
PCMSP-CH-01H	5.2 [0.205]	7.7 [0.303]	1.6 [0.063]	6.9 [0.272]	
PCMSP-CH-02F	4.4 [0.173]	6.9 [0.272]	2.5 [0.098]	3.9 [0.154]	

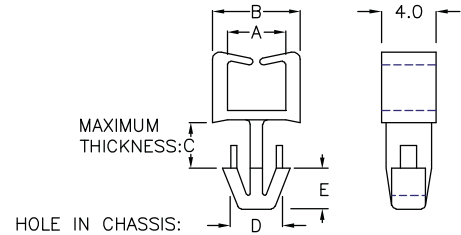


RoHS COMPLIANT

**Specifications:**

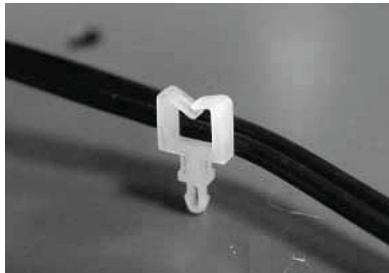
**Material:** Nylon 6/6  
**UL Rating:** 94V-2  
**Color:** Natural

**For Thick Chassis**



Part Number	Ref. "A", mm [in.]	Ref. "B", mm [in.]	Max. Panel Thickness "C", mm [in.]	Mounting Hole Dia. "D", mm [in.]	Ref. "E", mm [in.]	Standard Package
PCMSP-CH-01L	4.3 [0.169]	6.5 [0.256]	3.0 [0.118]	3.5 [0.138]	6.6 [0.260]	2000
PCMSP-CH-1LA	4.3 [0.169]	6.5 [0.256]	1.1 [0.043]	3.6 [0.142]	4.3 [0.169]	
PCMSP-CH-1LB	4.3 [0.169]	6.5 [0.256]	4.0 [0.157]	3.6 [0.142]	7.4 [0.291]	
PCMSP-CH-01D	4.3 [0.169]	6.5 [0.256]	4.4 [0.173]	3.5 [0.138]	7.7 [0.303]	

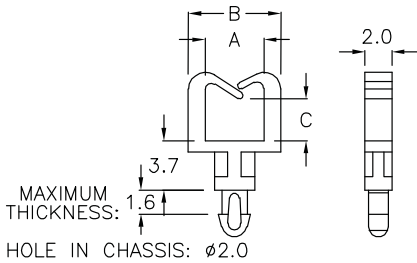
**Plastic Wire Saddles**  
Snap in Arrowhead Mount



RoHS COMPLIANT

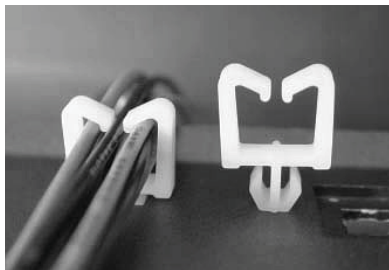
**Specifications:**

**Material:** Nylon 6/6  
**UL Rating:** 94V-2  
**Color:** Natural



Part Number	Ref. "A", mm [in.]	Ref. "B", mm [in.]	Ref. "C", mm [in.]	Standard Package
Mounting Hole Dia. in chassis = ø2.0 mm [0.079 in.] Max. Chassis Thickness = 1.6 mm [0.063 in.]				
PCMSP-CMC-3A	4.4 [0.173]	6.9 [0.272]	3.1 [0.122]	2000

**Plastic Anti-Spin Wire Saddles**  
Anti-Spin Arrowhead Mount

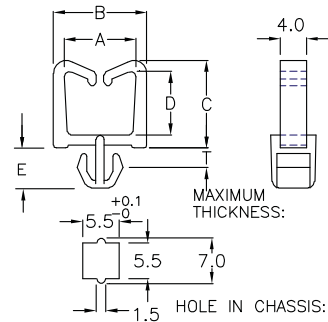


RoHS COMPLIANT

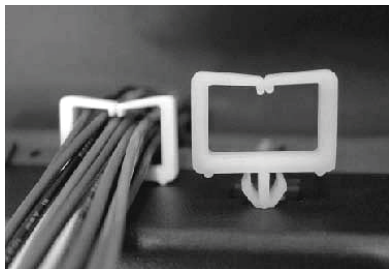
**Specifications:**

**Material:** Nylon 6/6  
**UL Rating:** 94V-2  
**Color:** Natural

**Anti-Spin Mount**



Part Number	Ref. "A", mm [in.]	Ref. "B", mm [in.]	Ref. "C", mm [in.]	Ref. "D", mm [in.]	Max. Panel Thickness "T", mm [in.]	Ref. "E", mm [in.]	Standard Package
PCMSP-CH-08	10.9 [0.429]	14.3 [0.563]	13.5 [0.531]	9.7 [0.382]	2.2 [0.087]	6.3 [0.248]	500
PCMSP-CH-08L	12.0 [0.472]	16.8 [0.661]	13.5 [0.531]	9.4 [0.370]	1.6 [0.063]	5.8 [0.228]	
PCMSP-CH-08A	11.0 [0.433]	14.3 [0.563]	15.7 [0.618]	12.0 [0.472]	2.2 [0.087]	6.1 [0.240]	

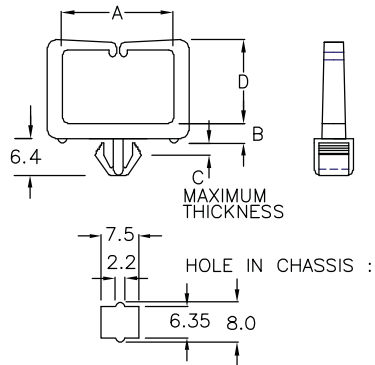


RoHS COMPLIANT

**Specifications:**

**Material:** Nylon 6/6  
**UL Rating:** 94V-2  
**Color:** Natural

**Anti-Spin Mount**

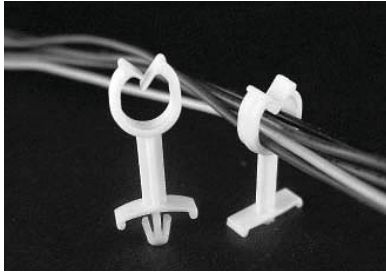


Part Number	Ref. "A", mm [in.]	Ref. "B", mm [in.]	Max. Panel Thickness "C",mm [in.]	Ref. "D", mm [in.]	Standard Package
PCMSP-CHN-01	21.6 [0.850]	3.9 [0.154]	1.6 [0.063]	16.5 [0.650]	200

all dimension units in millimeter (mm) unless noted otherwise

www.vaisis.com | P: 626-795-6696 | F: 626-795-6896 | Email: sales@vaisis.com

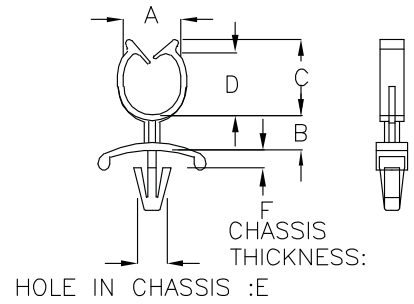
### Plastic Stand-Off Wire Saddles Snap in Arrowhead Mount



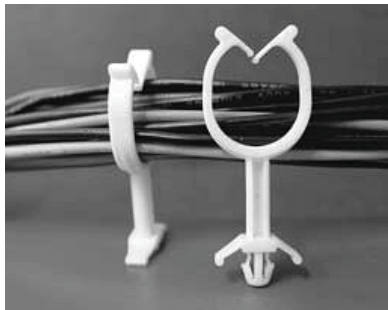
RoHS COMPLIANT

**Specifications:**

**Material:** Nylon 6/6  
**UL Rating:** 94V-2  
**Color:** Natural



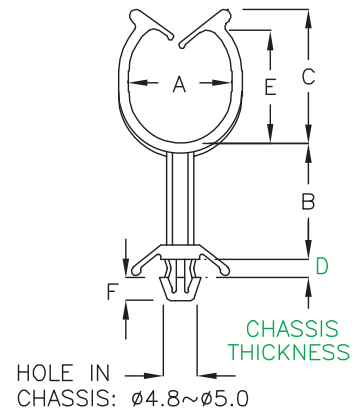
Part Number	Ref. "A", mm [in.]	Ref. "B", mm [in.]	Ref. "C", mm [in.]	Ref. "D", mm [in.]	Mounting Hole Dia. "E", $\phi$ , mm [in.]	Chassis Thickness "F", mm [in.]	Ref. "G", mm [in.]	Standard Package
PCMSP-TDA-4A	7.4 [0.291]	4.5 [0.177]	9.7 [0.382]	8.0 [0.315]	$\phi$ 3.3 [0.130]	0.8-1.8 [0.031-0.071]	5.5 [0.217]	500
PCMSP-TDA-10	5.6 [0.220]	10.0 [0.394]	7.0 [0.276]	5.2 [0.205]	$\phi$ 3.5 [0.138]	0.8-1.6 [0.031-0.063]	4.0 [0.157]	
PCMSP-TDA-13	7.4 [0.291]	13.0 [0.512]	9.7 [0.382]	8.0 [0.315]	$\phi$ 3.5 [0.138]	0.6-1.6 [0.024-0.063]	4.2 [0.165]	



RoHS COMPLIANT

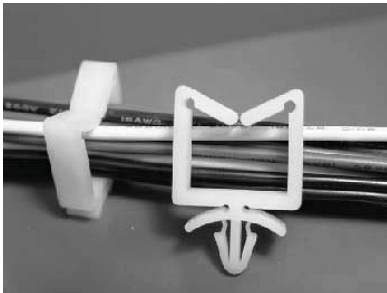
**Specifications:**

**Material:** Nylon 6/6  
**UL Rating:** 94V-0  
**Color:** Natural



Part Number	Ref. "A", mm [in.]	Ref. "B", mm [in.]	Ref. "C", mm [in.]	Chassis Thickness "D", mm [in.]	Ref. "E", mm [in.]	Ref. "F", mm [in.]	Standard Package
Mounting Hole Dia. in Chassis = $\phi$ 4.8 - 5.0 mm [0.189 - 0.197 in.]							
PCMSP-TU14-17	14.8 [0.583]	16.8 [0.661]	19.5 [0.768]	0.5-2.3 [0.020-0.091]	16.2 [0.638]	3.5 [0.138]	500
PCMSP-TU14-25	14.8 [0.583]	25.0 [0.984]	19.5 [0.768]	0.5-2.3 [0.020-0.091]	16.2 [0.638]	3.5 [0.138]	
PCMSP-TU14-27	14.8 [0.583]	26.8 [1.055]	19.5 [0.768]	0.5-2.3 [0.020-0.091]	16.2 [0.638]	3.6 [0.142]	
PCMSP-TU14-37	14.8 [0.583]	36.8 [1.449]	19.5 [0.768]	0.5-2.3 [0.020-0.091]	16.2 [0.638]	3.5 [0.138]	

**Plastic Wire Saddles**  
Snap in Arrowhead Mount

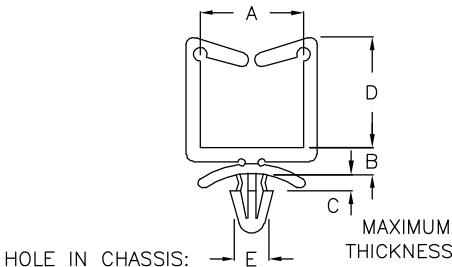


RoHS COMPLIANT

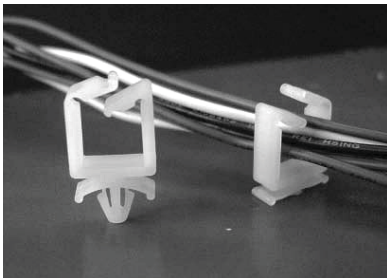
**Specifications:**

- Material:** Nylon 6/6
- UL Rating\*:** 94V-2
- Color:** Natural
- UL Listed:** See Logo

\*Except PCMSP-CH-30 (94V-0)



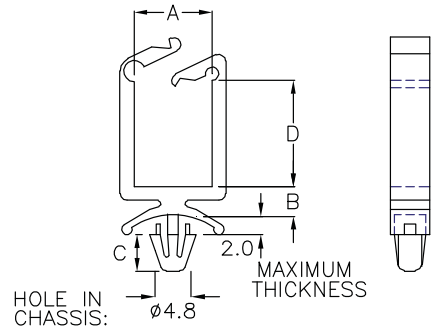
Part Number	Ref. "A", mm [in.]	Ref. "B", mm [in.]	Max. Panel Thickness "C", mm [in.]	Ref. "D", mm [in.]	Mounting Hole Dia. "E", ø, mm [in.]	Ref. "F", mm [in.]	Standard Package
PCMSP-CH-05	10.9 [0.429]	4.1 [0.161]	1.9 [0.075]	9.7 [0.382]	ø4.8 [0.189]	5.9 [0.232]	500
PCMSP-CH-10	11.0 [0.433]	3.9 [0.154]	1.9 [0.075]	15.0 [0.591]	ø4.8 [0.189]	5.8 [0.228]	
PCMSP-CH-10A	10.9 [0.429]	4.1 [0.161]	2.0 [0.079]	11.2 [0.441]	ø4.8 [0.189]	2.8 [0.110]	
PCMSP-CH-10L	11.0 [0.433]	3.7 [0.146]	2.1 [0.083]	23.7 [0.933]	ø4.8 [0.189]	5.6 [0.220]	
PCMSP-CH-14	14.6 [0.575]	4.1 [0.161]	2.1 [0.083]	15.1 [0.594]	ø5.0 [0.197]	6.2 [0.244]	
PCMSP-CH-14A	14.6 [0.575]	4.0 [0.157]	3.0 [0.118]	15.5 [0.610]	ø5.0 [0.197]	4.2 [0.165]	
PCMSP-CH-16	15.9 [0.626]	4.1 [0.161]	2.1 [0.083]	16.4 [0.646]	ø5.0 [0.197]	5.9 [0.232]	
PCMSP-CH-30	22.7 [0.894]	4.8 [0.189]	3.2 [0.126]	16.0 [0.630]	ø5.0 [0.197]	7.1 [0.280]	



RoHS COMPLIANT

**Specifications:**

- Material:** Nylon 6/6
- UL Rating:** 94V-2
- Color:** Natural



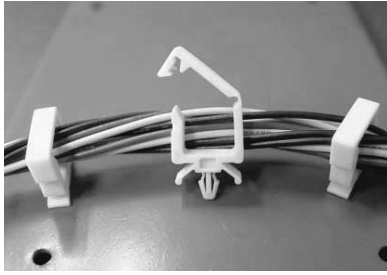
Par Number	Ref. "A", mm [in.]	Ref. "B", mm [in.]	Ref. "C", mm [in.]	Ref. "D", mm [in.]	Standard Package
Mounting Hole Dia. in chassis = ø4.8 mm [0.189 in.] Max. Chassis Thickness = 2.0 mm [0.079 in.]					
PCMSP-CM-10	10.8 [0.425]	4.1 [0.161]	5.0 [0.197]	19.4 [0.764]	500
PCMSP-CM-10L	23.7 [0.933]	4.7 [0.185]	5.0 [0.197]	32.2 [1.268]	
PCMSP-CM-10M	10.8 [0.425]	4.1 [0.161]	5.0 [0.197]	10.3 [0.406]	
PCMSP-CM-10Q	10.8 [0.425]	4.1 [0.161]	2.4 [0.094]	10.3 [0.406]	
PCMSP-CM-10S	10.8 [0.425]	4.1 [0.161]	5.0 [0.197]	7.3 [0.287]	

all dimension units in millimeter (mm) unless noted otherwise

www.vaisis.com | P: 626-795-6696 | F: 626-795-6896 | Email: sales@vaisis.com



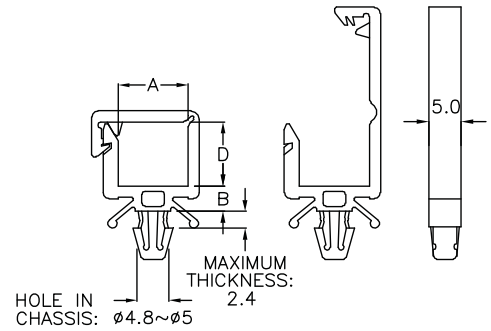
### Plastic Locking-Top Wire Saddles Snap in Arrowhead Mount



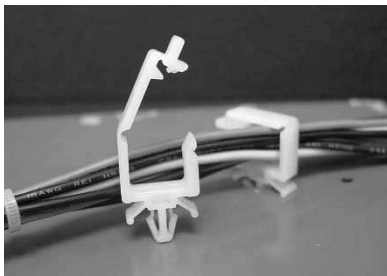
RoHS COMPLIANT

**Specifications:**

**Material:** Nylon 6/6  
**UL Rating:** 94V-2  
**Color:** Natural



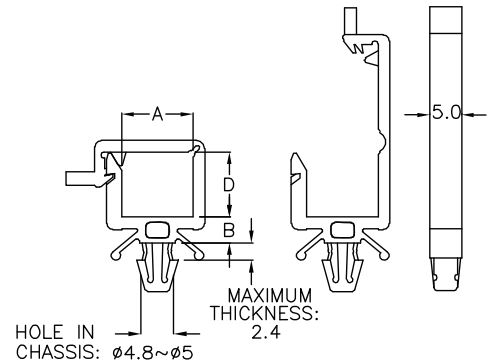
Part Number	Ref. "A", mm [in.]	Ref. "B", mm [in.]	Ref. "D", mm [in.]	Standard Package
Mounting Hole Dia. in chassis = $\phi 4.8 - 5.0$ mm [0.189 - 0.197 in.] Max. Chassis Thickness = 2.4 mm [0.094 in.]				
PCMS-CK-5	11.0 [0.433]	4.0 [0.157]	5.2 [0.205]	500
PCMS-CK-10	11.0 [0.433]	4.0 [0.157]	10.2 [0.402]	
PCMS-CK-14	16.0 [0.630]	4.0 [0.157]	14.4 [0.567]	



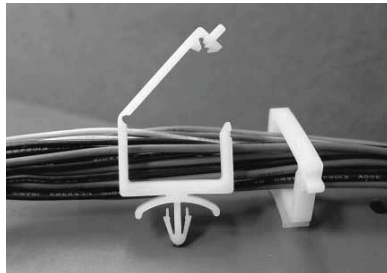
RoHS COMPLIANT

**Specifications:**

**Material:** Nylon 6/6  
**UL Rating:** 94V-2  
**Color:** Natural



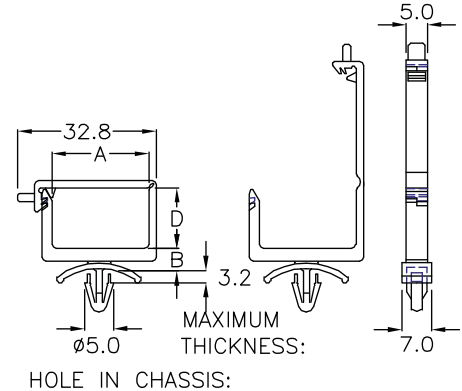
Part Number	Ref. "A", mm [in.]	Ma "B", mm [in.]	Ref. "D", mm [in.]	Standard Package
Mounting Hole Dia. in chassis = $\phi 4.8 - 5.0$ mm [0.189 - 0.197 in.] Max. Chassis Thickness = 2.4 mm [0.094 in.]				
PCMS-CK-10A	11.0 [0.433]	4.0 [0.157]	10.4 [0.409]	500
PCMS-CK-14A	16.0 [0.630]	4.0 [0.157]	14.0 [0.551]	



RoHS COMPLIANT

**Specifications:**

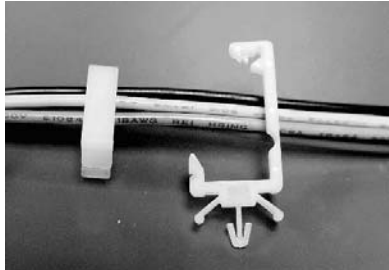
**Material:** Nylon 6/6  
**UL Rating:** 94V-2  
**Color:** Natural



Part Number	Ref. "A", mm [in.]	Ref. "B", mm [in.]	Ref. "D", mm [in.]	Standard Package
Mounting Hole Dia. in chassis = $\phi 5.0$ mm [0.197 in.] Max. Chassis Thickness = 3.2 mm [0.126 in.]				
PCMS-CH-20A	22.9 [0.902]	5.3 [0.209]	14.2 [0.559]	500

Cable Management

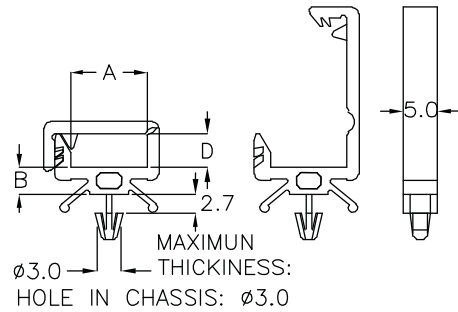
**Plastic Locking-Top Wire Saddles**  
Snap in Arrowhead Mount



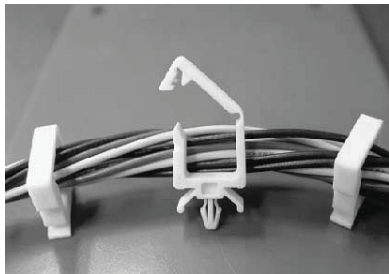
RoHS COMPLIANT

**Specifications:**

**Material:** Nylon 6/6  
**UL Rating:** 94V-2  
**Color:** Natural



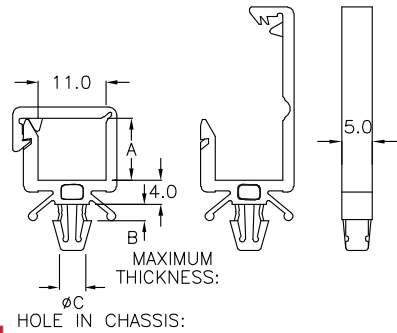
Part Number	Ref. "A", mm [in.]	Ref. "B", mm [in.]	Ref. "D", mm [in.]	Standard Package
Mounting Hole Dia. in chassis = $\phi 3.0$ mm [0.118 in.] Max. Chassis Thickness = 2.7 mm [0.106 in.]				
PCMSP-CHR-05	11.1 [0.437]	4.0 [0.157]	5.2 [0.205]	500



RoHS COMPLIANT

**Specifications:**

**Material:** Nylon 6/6  
**UL Rating:** 94V-2  
**Color:** Natural



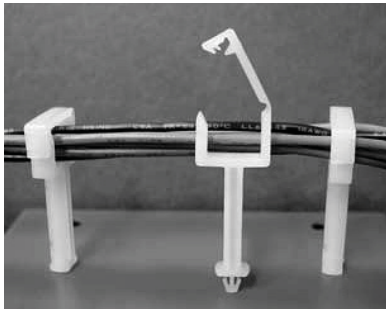
Part Number	Ref. "A", mm [in.]	Max. Panel Thickness "B", mm [in.]	Mounting Hole Dia. "C", $\phi$ , mm [in.]	Standard Package
PCMSP-CHJ-05	5.2 [0.205]	2.4 [0.094]	$\phi 3.5$ [0.138]	500
PCMSP-CHJ-10	10.2 [0.402]	2.4 [0.094]	$\phi 3.5$ [0.138]	

all dimension units in millimeter (mm) unless noted otherwise

www.vaisis.com | P: 626-795-6696 | F: 626-795-6896 | Email: sales@vaisis.com

**Vaisis**

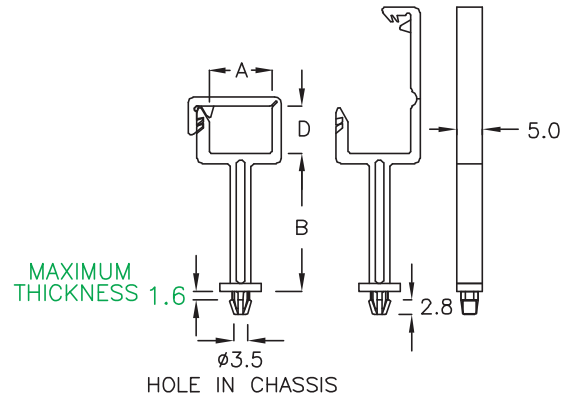
### Plastic Stand-Off Locking-Top Wire Saddles Snap in Arrowhead Mount



RoHS COMPLIANT

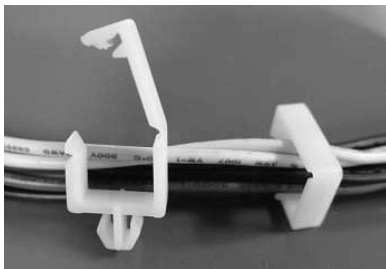
**Specifications:**

**Material:** Nylon 6/6  
**UL Rating:** 94V-2  
**Color:** Natural



Part Number	Ref. "A", mm [in.]	Ref. "B", mm [in.]	Ref. "D", mm [in.]	Standard Package
Mounting Hole Dia. in Chassis = $\varnothing 3.5$ mm [0.138 in.] Max. Chassis Thickness = 1.6 mm [0.063 in.]				
PCMSP-CHB-26A	12.1 [0.476]	26.7 [1.051]	9.1 [0.358]	100

### Plastic Locking-Top Wire Saddles Anti-Spin Arrowhead Mount

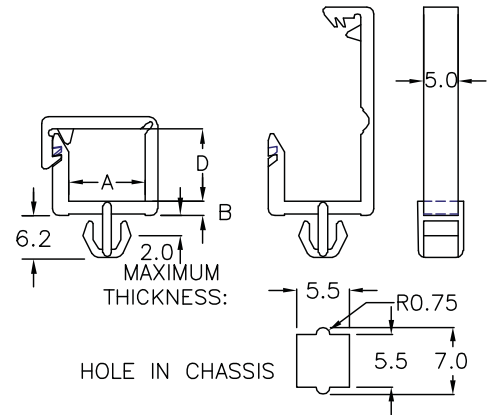


RoHS COMPLIANT

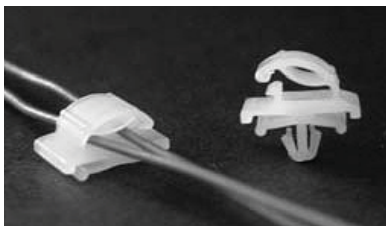
**Specifications:**

**Material:** Nylon 6/6  
**UL Rating:** 94V-2  
**Color:** Natural

Anti-Spin Mount



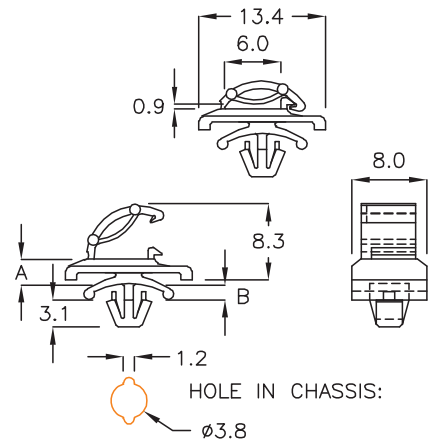
Part Number	Ref. "A", mm [in.]	Ref. "B", mm [in.]	Ref. "D", mm [in.]	Standard Package
Max. Panel Thickness = 2.0 mm [0.079]				
PCMSP-CKH-11	11.1 [0.437]	2.0 [0.079]	10.5 [0.413]	500
PCMSP-CKH-13	16.0 [0.630]	2.0 [0.079]	14.5 [0.571]	



RoHS COMPLIANT

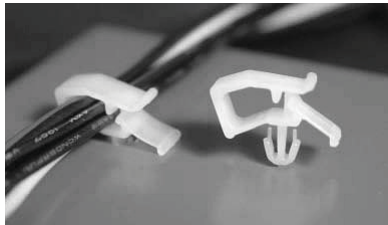
**Specifications:**

**Material:** Nylon 6/6  
**UL Rating:** 94V-2  
**Color:** Natural



Part Number	Ref. "A", mm [in.]	Chassis Thickness "B", mm [in.]	Standard Package
Mounting Hole Dia. in Chassis = $\varnothing 4.5 - 5.0$ mm [ $\varnothing 0.177 - 0.197$ in.]			
PCMSP-CHX-01	2.7 [0.106]	0.8-1.6 [0.031-0.063]	1000
PCMSP-CHX-1A	2.7 [0.106]	0.8-2.5 [0.031-0.098]	

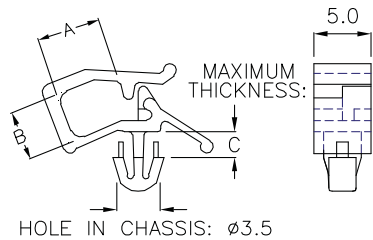
**Plastic Side-Entry Wire Saddles**  
Snap in Arrowhead Mount



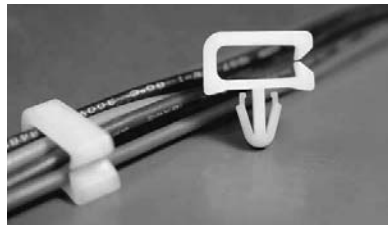
RoHS COMPLIANT

**Specifications:**

**Material:** Nylon 6/6  
**UL Rating:** 94V-2  
**Color:** Natural



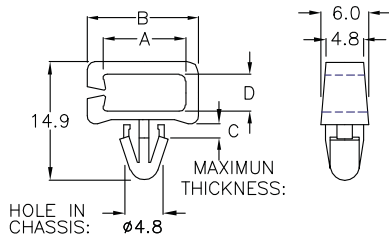
Part Number	Ref. "A", mm [in.]	Ref. "B", mm [in.]	Max. Chassis Thickness "C", mm [in.]	Standard Package
Mounting Hole Dia. in chassis = $\phi 3.5$ mm [0.138 in.]				
PCMSP-CH-03S	4.2 [0.165]	2.8 [0.110]	2.0 [0.079]	1000
PCMSP-CH-03	5.5 [0.217]	4.3 [0.169]	2.0 [0.079]	
PCMSP-CH-03F	4.2 [0.165]	2.6 [0.102]	2.4 [0.094]	



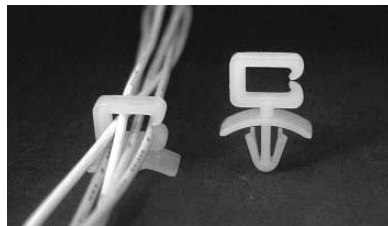
RoHS COMPLIANT

**Specifications:**

**Material:** Nylon 6/6  
**UL Rating:** 94V-2  
**Color:** Natural



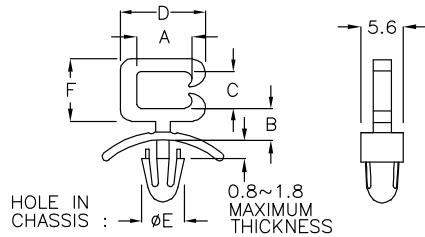
Part Number	Ref. "A", mm [in.]	Ref. "B", mm [in.]	Max. Chassis Thickness "C", mm [in.]	Ref. "D", mm [in.]	Standard Package
Mounting Hole Dia. in chassis = $\phi 4.8$ mm [0.189 in.]					
PCMSP-CH-02	10.2 [0.402]	14.2 [0.559]	1.2 [0.047]	4.6 [0.181]	1000



RoHS COMPLIANT

**Specifications:**

**Material:** Nylon 6/6  
**UL Rating:** 94V-2  
**Color:** Natural

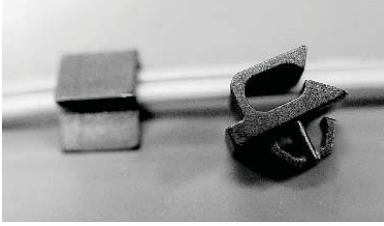


Part Number	Ref. "A", mm [in.]	Ref. "B", mm [in.]	Ref. "C", mm [in.]	Ref. "D", mm [in.]	Mounting Hole Dia. "E", $\phi$ , mm [in.]	Ref. "F", mm [in.]	Standard Package
PCMSP-CHM-01	7.3 [0.287]	4.4 [0.173]	4.8 [0.189]	11.3 [0.445]	$\phi 4.5$ [0.177]	8.2 [0.323]	500

all dimension units in millimeter (mm) unless noted otherwise

www.vaisis.com | P: 626-795-6696 | F: 626-795-6896 | Email: sales@vaisis.com

### Plastic Side-Entry Wire Saddles Anti-Spin Arrowhead Mount

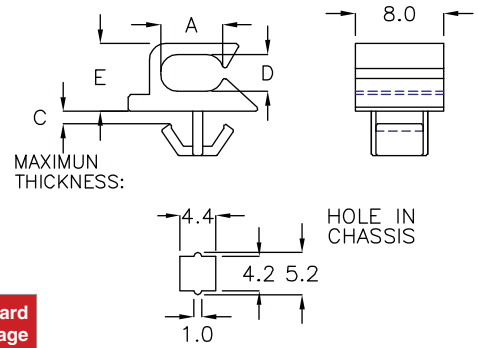


RoHS COMPLIANT

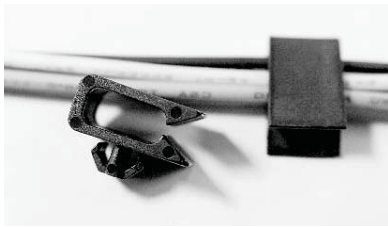
**Specifications:**

**Material:** Nylon 6/6  
**UL Rating:** 94V-2  
**Color:** Black

**Anti-Spin Mount**



Part Number	Ref. "A", mm [in.]	Max. Panel Thickness "C", mm [in.]	Ref. "D", mm [in.]	Ref. "E", mm [in.]	Standard Package
PCMSp-CU-01H	5.6 [0.220]	0.6 [0.024]	3.3 [0.130]	6.1 [0.240]	1000

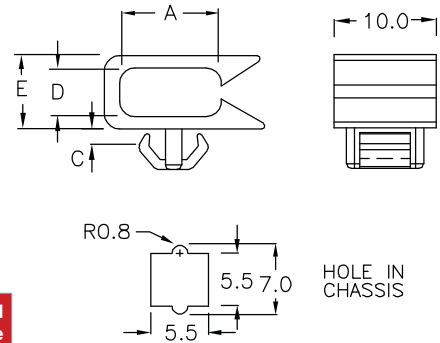


RoHS COMPLIANT

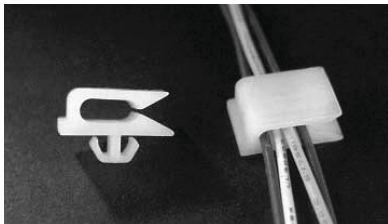
**Specifications:**

**Material:** Nylon 6/6  
**UL Rating:** 94V-2  
**Color:** Black

**Anti-Spin Mount**



Part Number	Ref. "A", mm [in.]	Max. Panel Thickness "C", mm [in.]	Ref. "D", mm [in.]	Ref. "E", mm [in.]	Standard Package
PCMSp-CU-03	10.0 [0.394]	1.6 [0.063]	4.8 [0.189]	7.2 [0.283]	1000

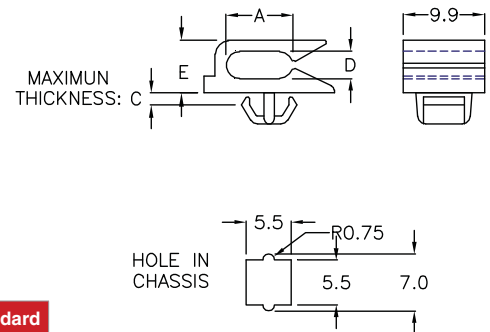


RoHS COMPLIANT

**Specifications:**

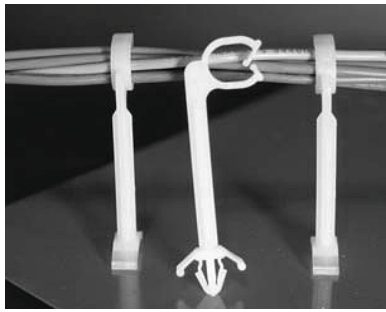
**Material:** Nylon 6/6  
**UL Rating:** 94V-2  
**Color:** Natural

**Anti-Spin Mount**



Part Number	Ref. "A", mm [in.]	Max. Panel Thickness "C", mm [in.]	Ref. "D", mm [in.]	Ref. "E", mm [in.]	Standard Package
PCMSp-CU-01	8.2 [0.323]	1.0 [0.039]	3.3 [0.130]	6.4 [0.252]	1000
PCMSp-CU-01F	9.0 [0.354]	1.0 [0.039]	4.6 [0.181]	7.6 [0.299]	

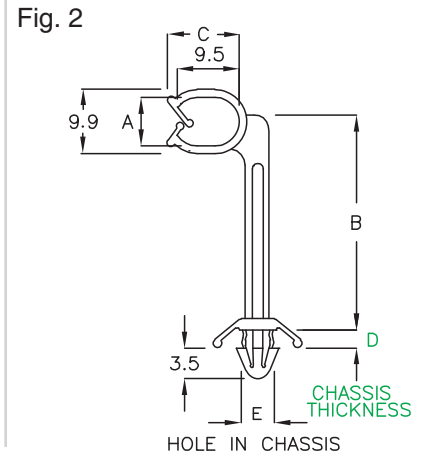
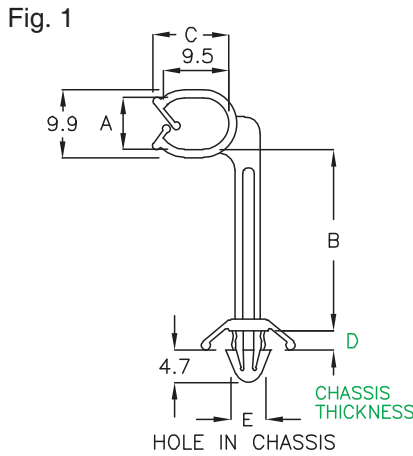
### Plastic Side-Entry Stand-Off Wire Saddle Snap in Arrowhead Mount



RoHS COMPLIANT

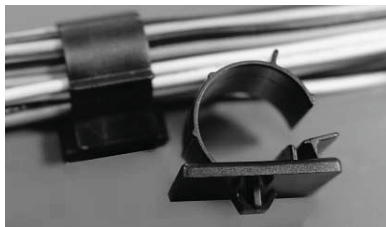
**Specifications:**

**Material:** Nylon 6/6  
**UL Rating:** 94V-2  
**Color:** Natural



Part Number	Figure	Ref. "A", mm [in.]	Ref. "B", mm [in.]	Ref. "C", mm [in.]	Chassis Thickness "D", mm [in.]	Mounting Hole Dia. "E", ø, mm [in.]	Standard Package
PCMSP-TUA-34	1	7.5 [0.295]	34.2 [1.346]	11.0 [0.433]	0.5-2.1 [0.020-0.083]	ø4.8-5.0[0.189-0.197]	500
PCMSP-TUA-40	2	7.5 [0.295]	38.8 [1.528]	11.0 [0.433]	1.6 [0.063]	ø4.5 [0.177]	

### Plastic Releasable Wire Saddle Anti-Spin Arrowhead Mount

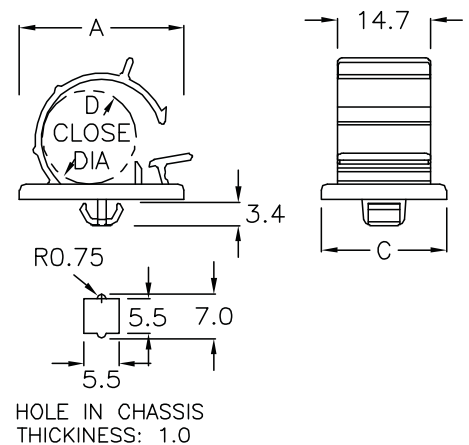


RoHS COMPLIANT

**Specifications:**

**Material:** Nylon 6/6  
**UL Rating:** 94V-2  
**Color:** Black

Anti-Spin Mount

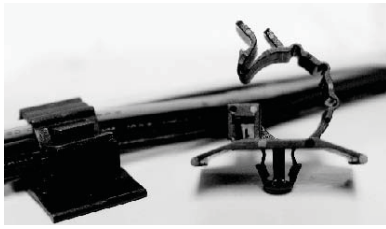


Part Number	Ref. "A", mm [in.]	Ref. "C", mm [in.]	Close/Bundle Dia. "D", ø, mm [in.]	Standard Package
Max. Panel Thickness = 1.0 mm [0.039]				
PCMSP-CD-4	25.8 [1.016]	19.6 [0.772]	ø12.6 [0.496]	100

all dimension units in millimeter (mm) unless noted otherwise

www.vaisis.com | P: 626-795-6696 | F: 626-795-6896 | Email: sales@vaisis.com

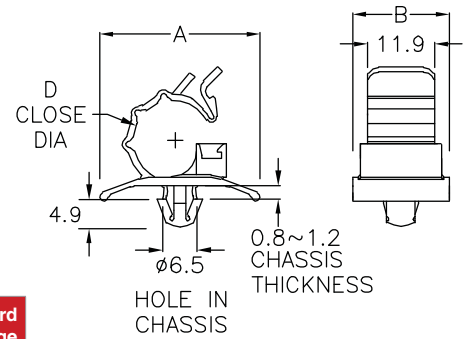
### Plastic Releasable Cable Clamps Snap in Arrowhead Mount



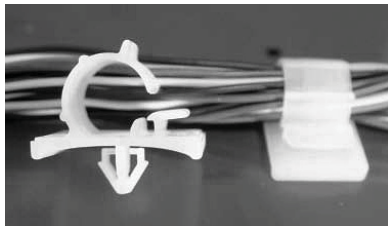
RoHS COMPLIANT

**Specifications:**

**Material:** Nylon 6/6  
**UL Rating:** 94V-2  
**Color:** Black



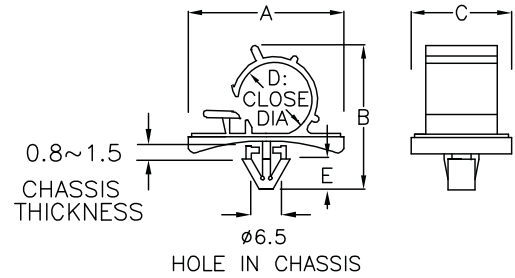
Part Number	Ref. "A", mm [in.]	Ref. "B", mm [in.]	Close/Bundle Dia. "D", $\phi$ , mm [in.]	Standard Package
Mounting Hole Dia. in Chassis = $\phi 6.5$ mm [0.256 in.] Chassis Thickness = 0.8 - 1.2 mm [0.031 - 0.047 in.]				
PCMSP-CCD-01	28.5 [1.122]	17.3 [0.681]	$\phi 10.0$ [0.394]	200



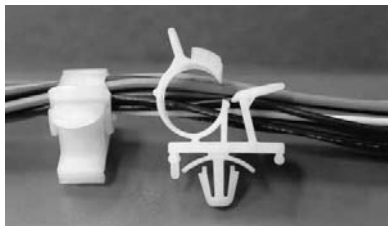
RoHS COMPLIANT

**Specifications:**

**Material:** Nylon 6/6  
**UL Rating:** 94V-2  
**Color:** Natural



Part Number	Ref. "A", mm [in.]	Ref. "B", mm [in.]	Ref. "C", mm [in.]	Close/Bundle Dia. "D", $\phi$ , mm [in.]	Ref. "E", mm [in.]	Pkg.
Mounting Hole Dia. in Chassis = $\phi 6.5$ mm [0.256 in.] Chassis Thickness = 0.8 - 1.5 mm [0.031 - 0.059 in.]						
PCMSP-CC-3	26.0 [1.024]	23.9 [0.941]	17.0 [0.669]	$\phi 9.5$ [0.374]	5.0 [0.197]	200
PCMSP-CC-3S	21.0 [0.827]	21.3 [0.839]	19.0 [0.748]	$\phi 7.8$ [0.307]	5.1 [0.201]	
PCMSP-CC-4	30.3 [1.193]	32.0 [1.260]	19.4 [0.764]	$\phi 13.5$ [0.531]	5.2 [0.205]	100
PCMSP-CC-4A	30.2 [1.189]	33.7 [1.327]	19.3 [0.760]	$\phi 17.0$ [0.669]	5.1 [0.201]	

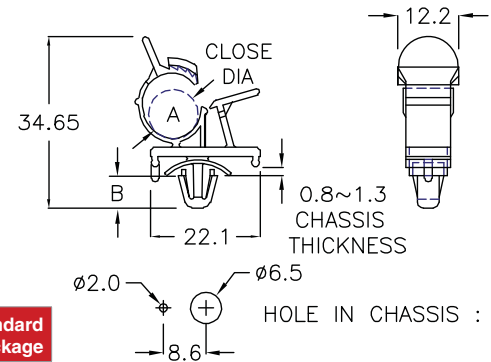


RoHS COMPLIANT

**Specifications:**

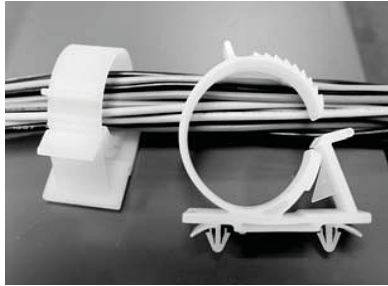
**Material:** Nylon 6/6  
**UL Rating:** 94V-2  
**Color:** Natural

**Anti-Spin Mount**



Part Number	Close/Bundle Dia. "A", $\phi$ , mm [in.]	Ref. "B", mm [in.]	Standard Package
Mounting Hole Dia. in chassis = See Drawing Chassis Thickness = 0.8 - 1.3 mm [0.031 - 0.051 in.]			
PCMSP-FWD-01	$\phi 7.7-10.0$ [0.303-0.394]	6.8 [0.268]	500
PCMSP-FWD-02	$\phi 8.0-9.5$ [0.315-0.374]	6.9 [0.272]	

**Plastic Adjustable Cable Clamps**  
Anti-Spin Snap-in Mount

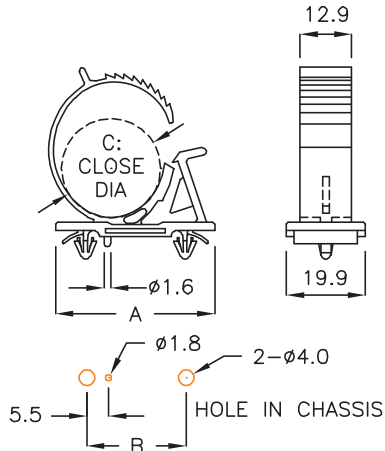


RoHS COMPLIANT

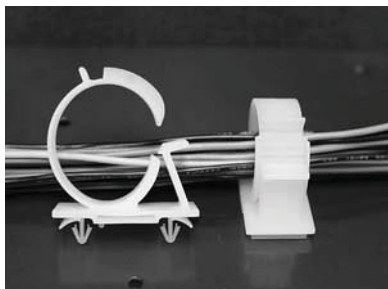
**Specifications:**

**Material:** Nylon 6/6  
**UL Rating:** 94V-2  
**Color:** Natural

Anti-Spin Mount



Part Number	Ref. "A", mm [in.]	Ref. "B", mm [in.]	Close/Bundle Dia. "C", $\phi$ , mm [in.]	Chassis Thickness, mm [in.]	Pkg.
PCMSF-FWW-40	40.0 [1.575]	25.0 [0.984]	$\phi$ 22.5-26.5 [0.886-1.043]	0.8-2.0 [0.031-0.079]	100
PCMSF-FWW-40C	40.0 [1.575]	25.0 [0.984]	$\phi$ 22.5-26.5 [0.886-1.043]	0.8-1.2 [0.031-0.047]	

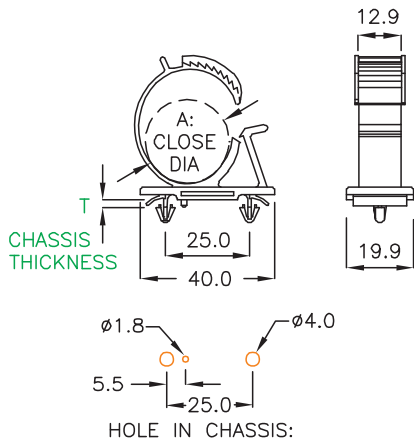


RoHS COMPLIANT

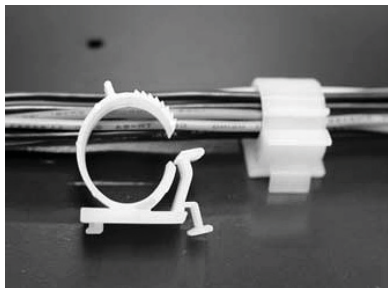
**Specifications:**

**Material:** Nylon 6/6  
**UL Rating:** 94V-2  
**Color:** Natural

Anti-Spin Mount



Part Number	Close/Bundle Dia. "A", $\phi$ , mm [in.]	Chassis Thickness "T", mm [in.]	Standard Package
PCMSF-FWQ-40	$\phi$ 22.5-26.5 [0.886-1.043]	0.8-2.0 [0.031-0.079]	100

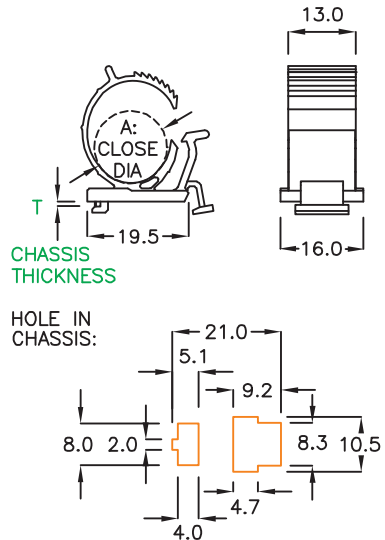


RoHS COMPLIANT

**Specifications:**

**Material:** Nylon 6/6  
**UL Rating:** 94V-2  
**Color:** Natural

Anti-Spin Mount



Part Number	Close/Bundle Dia. "A", $\phi$ , mm [in.]	Chassis Thickness "T", mm [in.]	Standard Package
PCMSF-FW-24	$\phi$ 13.0-14.5 [0.512-0.571]	0.8 [0.031]	200

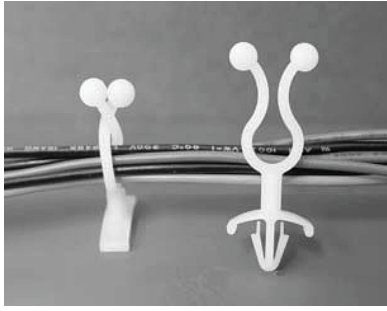
all dimension units in millimeter (mm) unless noted otherwise

www.vaisis.com | P: 626-795-6696 | F: 626-795-6896 | Email: sales@vaisis.com




## Plastic Stand-Off Twist Locks

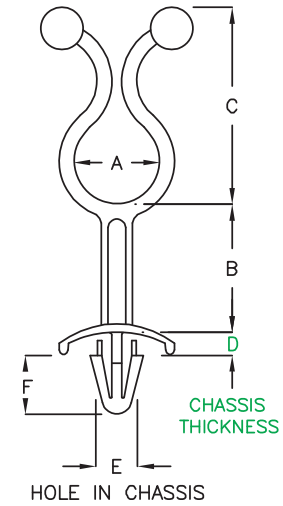
### Snap-In Arrowhead Mount


















RoHS COMPLIANT

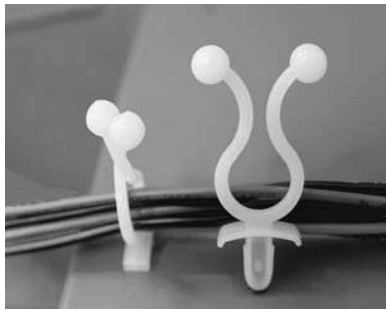
#### Specifications:

**Material:** Nylon 6/6  
**UL Rating:** 94V-2  
**Color:** Natural  
**UL Listed:** See  Logo



Part Number	Ref. "A", mm [in.]	Close/Bundle Dia. "A", ø, mm [in.]	Ref. "B", mm [in.]	Ref. "C", mm [in.]	Chassis Thickness "D", mm [in.]	Mounting Hole Dia. "E", ø, mm [in.]	Ref. "F", mm [in.]	Pkg.
PCMSP-TA5-60	5.1 [0.201]	ø4.4 [0.173]	60.4 [2.378]	20.7 [0.815]	0.8-2.7 [0.031-0.106]	ø4.8-5.0 [0.189-0.197]	7.2 [0.283]	500
PCMSP-TA8-3 	8.6 [0.339]	ø7.0 [0.276]	3.5 [0.138]	19.0 [0.748]	1.2-1.8 [0.047-0.071]	ø4.0 [0.157]	3.0 [0.118]	1000
PCMSP-TA8-3L	8.6 [0.339]	ø7.0 [0.276]	3.2 [0.126]	19.0 [0.748]	1.2-2.3 [0.047-0.091]	ø4.0 [0.157]	3.3 [0.130]	
PCMSP-TA8-6 	8.8 [0.346]	ø7.0 [0.276]	5.6 [0.220]	19.1 [0.752]	1.2-1.8 [0.047-0.071]	ø4.8-5.0 [0.189-0.197]	7.6 [0.299]	
PCMSP-TA8-10 	8.0 [0.315]	ø6.8 [0.268]	10.5 [0.413]	22.7 [0.894]	1.2-2.8 [0.047-0.110]	ø5.0 [0.197]	7.2 [0.283]	
PCMSP-TA8-20 	8.0 [0.315]	ø6.8 [0.268]	20.2 [0.795]	22.7 [0.894]	1.2-2.8 [0.047-0.110]	ø5.0 [0.197]	7.2 [0.283]	500
PCMSP-TA10-3 	10.9 [0.429]	ø9.5 [0.374]	3.0 [0.118]	27.0 [1.063]	1.1-2.6 [0.043-0.102]	ø5.0 [0.197]	7.3 [0.287]	
PCMSP-TA10-3A	10.9 [0.429]	ø9.5 [0.374]	3.1 [0.122]	27.0 [1.063]	1.2-3.8 [0.047-0.150]	ø5.0 [0.197]	6.6 [0.260]	
PCMSP-TA10-15 	11.0 [0.433]	ø9.7 [0.382]	15.5 [0.610]	27.0 [1.063]	1.1-2.6 [0.043-0.102]	ø5.0 [0.197]	7.1 [0.280]	
PCMSP-TA10-35 	10.9 [0.429]	ø9.6 [0.378]	35.0 [1.378]	27.0 [1.063]	1.5-3.0 [0.059-0.118]	ø5.0 [0.197]	7.2 [0.283]	200
PCMSP-TA11-4 	11.0 [0.433]	ø9.5 [0.374]	4.4 [0.173]	26.4 [1.039]	0.6-2.4 [0.024-0.094]	ø5.0 [0.197]	7.5 [0.295]	
PCMSP-TA11-5	11.5 [0.453]	ø10.3 [0.406]	4.7 [0.185]	28.0 [1.102]	0.8-2.0 [0.031-0.079]	ø4.0 [0.157]	5.5 [0.217]	
PCMSP-TA11-50 	11.5 [0.453]	ø10.1 [0.398]	50.2 [1.976]	26.7 [1.051]	0.8-2.7 [0.031-0.106]	ø4.8-5.0 [0.189-0.197]	7.1 [0.280]	
PCMSP-TA11-21 	11.8 [0.465]	ø10.2 [0.402]	21.2 [0.835]	27.5 [1.083]	0.6-2.7 [0.024-0.106]	ø5.0 [0.197]	6.6 [0.260]	500
PCMSP-TA11-43	11.5 [0.453]	ø10.1 [0.398]	43.5 [1.713]	26.7 [1.051]	0.8-2.7 [0.031-0.106]	ø4.8-5.0 [0.189-0.197]	7.0 [0.276]	
PCMSP-TA12-10	12.0 [0.472]	ø10.2 [0.402]	10.1 [0.398]	27.0 [1.063]	1.2-3.2 [0.047-0.126]	ø4.8-5.0 [0.189-0.197]	6.6 [0.260]	
PCMSP-TA14-2	14.4 [0.567]	ø13.0 [0.512]	2.4 [0.094]	30.5 [1.201]	0.3-1.8 [0.012-0.071]	ø4.8 [0.189]	7.6 [0.299]	
PCMSP-TA16-4 	16.0 [0.630]	ø14.0 [0.551]	3.5 [0.138]	30.8 [1.213]	1.3-2.9 [0.051-0.114]	ø5.0 [0.197]	7.2 [0.283]	200
PCMSP-TA16-60 	16.0 [0.630]	ø14.5 [0.571]	60.4 [2.378]	32.0 [1.260]	0.8-2.7 [0.031-0.106]	ø4.8-5.0 [0.189-0.197]	7.1 [0.280]	
PCMSP-TA19-30	18.7 [0.736]	ø16.5 [0.650]	30.0 [1.181]	36.4 [1.433]	0.9-3.0 [0.035-0.118]	ø4.8-5.0 [0.189-0.197]	7.0 [0.276]	
PCMSP-TA20-8	20.6 [0.811]	ø18.4 [0.724]	8.1 [0.319]	36.7 [1.445]	0.8-3.0 [0.031-0.118]	ø4.8-5.0 [0.189-0.197]	7.1 [0.280]	
PCMSP-TA20-16 	20.3 [0.799]	ø18.3 [0.720]	16.2 [0.638]	36.3 [1.429]	1.5-3.1 [0.059-0.122]	ø5.0 [0.197]	7.2 [0.283]	500
PCMSP-TA24-3 	24.3 [0.957]	ø22.0 [0.866]	3.0 [0.118]	43.6 [1.717]	0.6-2.7 [0.024-0.106]	ø5.0 [0.197]	6.9 [0.272]	200
PCMSP-TA37-3 	37.5 [1.476]	ø35.0 [1.378]	3.3 [0.130]	59.3 [2.335]	1.1-2.4 [0.043-0.094]	ø4.8-5.0 [0.189-0.197]	6.7 [0.264]	

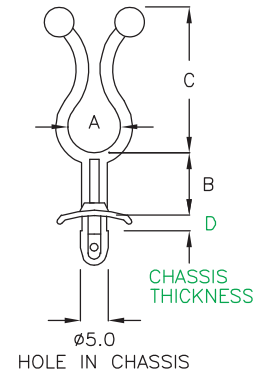
### Plastic Stand-Off Twist Locks Snap-In Arrowhead Mount



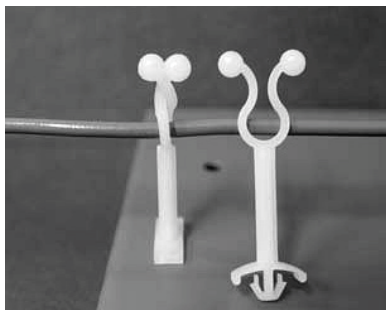
RoHS COMPLIANT

**Specifications:**

**Material:** Nylon 6/6  
**UL Rating:** 94V-2  
**Color:** Natural



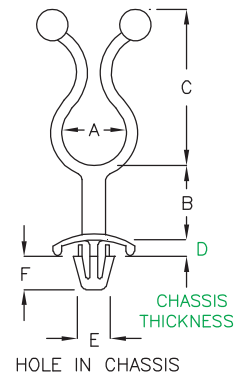
Part Number	Ref. "A", mm [in.]	Close/Bundle Dia. "A", $\phi$ , mm [in.]	Ref. "B", mm [in.]	Ref. "C", mm [in.]	Chassis Thickness "D", mm [in.]	Standard Package
Mounting Hole Dia. in Chassis = $\phi$ 5.0 mm [0.197 in.]						
PCMSP-TA10-4	10.5 [0.413]	$\phi$ 9.3 [0.366]	4.0 [0.157]	28.0 [1.102]	1.9-2.9 [0.075-0.114]	500
PCMSP-TA10-20	10.5 [0.413]	$\phi$ 9.4 [0.370]	20.0 [0.787]	27.6 [1.087]	1.8-2.8 [0.071-0.110]	
PCMSP-TA16-3	15.9 [0.626]	$\phi$ 14.4 [0.567]	3.5 [0.138]	32.0 [1.260]	1.0-2.6 [0.039-0.102]	
PCMSP-TA16-18	16.0 [0.630]	$\phi$ 14.4 [0.567]	18.0 [0.709]	32.0 [1.260]	1.2-2.4 [0.047-0.094]	



RoHS COMPLIANT

**Specifications:**

**Material:** Nylon 6/6  
**UL Rating:** 94V-2  
**Color:** Natural

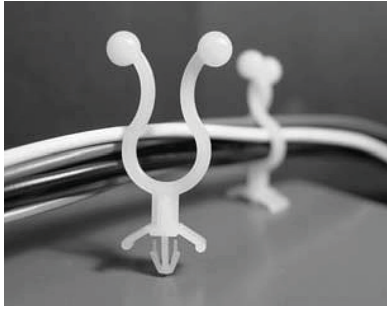


Part Number	Ref. "A", mm [in.]	Close/Bundle Dia. "A", $\phi$ mm [in.]	Ref. "B", mm [in.]	Ref. "C", mm [in.]	Chassis Thickness "D", mm [in.]	Mounting Hole Dia. "E", mm [in.]	Ref. "F", mm [in.]	Standard Package
PCMSP-TA7-23	6.7 [0.264]	$\phi$ 5.5 [0.217]	23.7 [0.933]	17.2 [0.677]	0.5-2.0 [0.020-0.079]	$\phi$ 5.0 [0.197]	3.2 [0.126]	500
PCMSP-TA8-15A	8.6 [0.339]	$\phi$ 7.5 [0.295]	15.0 [0.591]	26.3 [1.035]	1.2-3.0 [0.047-0.118]	$\phi$ 4.0 [0.157]	5.2 [0.205]	
PCMSP-TA9-15	10.7 [0.421]	$\phi$ 9.4 [0.370]	15.0 [0.591]	26.3 [1.035]	1.2-3.0 [0.047-0.118]	$\phi$ 4.0 [0.157]	5.2 [0.205]	
PCMSP-TA11-4A	10.8 [0.425]	$\phi$ 9.3 [0.366]	4.6 [0.181]	26.3 [1.035]	0.3-2.2 [0.012-0.087]	$\phi$ 5.0 [0.197]	5.6 [0.220]	
PCMSP-TA11-50A	11.5 [0.453]	$\phi$ 10.1 [0.398]	50.2 [1.976]	26.7 [1.051]	0.8-2.7 [0.031-0.106]	$\phi$ 4.8-5.0 [0.189-0.197]	5.1 [0.201]	
PCMSP-TA14-2C	14.8 [0.583]	$\phi$ 13.0 [0.512]	2.4 [0.094]	30.5 [1.201]	0.8-1.6 [0.031-0.063]	$\phi$ 4.8 [0.189]	5.1 [0.201]	

all dimension units in millimeter (mm) unless noted otherwise

www.vaisis.com | P: 626-795-6696 | F: 626-795-6896 | Email: sales@vaisis.com

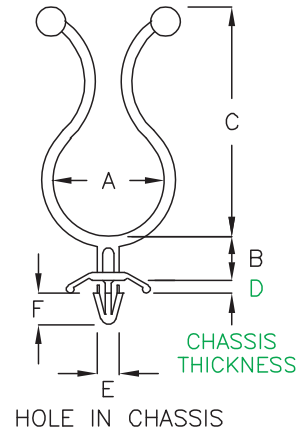
### Plastic Stand-Off Twist Locks Snap-In Arrowhead Mount



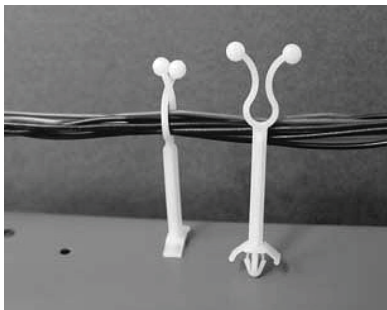
**RoHS COMPLIANT**

**Specifications:**

**Material:** Nylon 6/6  
**UL Rating:** 94V-2  
**Color:** Natural



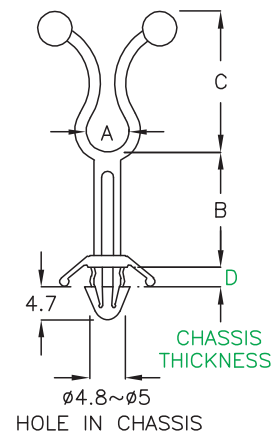
Part Number	Ref. "A", mm [in.]	Close/Bundle Dia. "A", ø, mm [in.]	Ref. "B", mm [in.]	Ref. "C", mm [in.]	Chassis Thickness "D", mm [in.]	Mounting Hole Dia. "E", ø, mm [in.]	Ref. "F", mm [in.]	Standard Package
PCMSP-TB20-8	20.6 [0.811]	ø18.5 [0.728]	8.1 [0.319]	42.0 [1.654]	1.0-2.0 [0.039-0.079]	ø3.5 [0.138]	6.0 [0.236]	500
PCMSP-TB8-8	9.5 [0.374]	ø7.7 [0.303]	8.0 [0.315]	23.3 [0.917]	0.8-2.4 [0.031-0.094]	ø3.0 [0.118]	3.7 [0.146]	



**RoHS COMPLIANT**

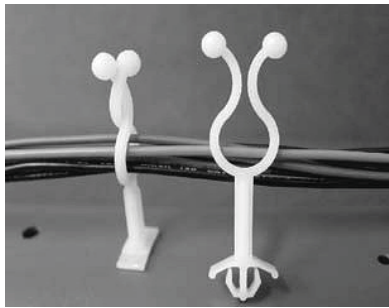
**Specifications:**

**Material:** Nylon 6/6  
**UL Rating:** 94V-2  
**Color:** Natural



Part Number	Ref. "A", mm [in.]	Close/Bundle Dia. "A", ø, mm [in.]	Ref. "B", mm [in.]	Ref. "C", mm [in.]	Chassis Thickness "D", mm [in.]	Standard Package
Mounting Hole Dia. in Chassis = ø4.8 - 5.0 mm [0.189 - 0.197 in.]						
PCMSP-TK6-34	6.1 [0.240]	ø5.1 [0.201]	34.0 [1.339]	20.2 [0.795]	0.5-2.3 [0.020-0.091]	500

**Plastic Stand-Off Twist Locks**  
Anti-Spin Mount

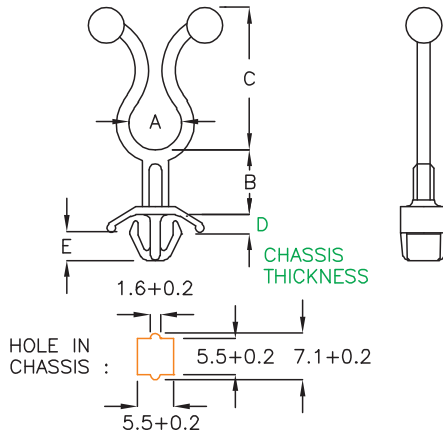


RoHS COMPLIANT

**Specifications:**

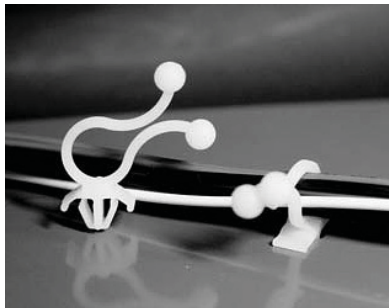
**Material:** Nylon 6/6  
**UL Rating:** 94V-2  
**Color:** Natural

Anti-Spin Mount



Part Number	Ref. "A", mm [in.]	Close/Bundle Dia. "A", ø, mm [in.]	Ref. "B", mm [in.]	Ref. "C", mm [in.]	Chassis Thickness "D", mm [in.]	Ref. "E", mm [in.]	Standard Package
PCMSP-TD5-36	5.4 [0.213]	ø4.5 [0.177]	36.5 [1.437]	18.4 [0.724]	0.8-1.2 [0.031-0.047]	3.8 [0.150]	500
PCMSP-TD8-3	8.0 [0.315]	ø6.7 [0.264]	3.2 [0.126]	21.7 [0.854]	0.8-1.4 [0.031-0.055]	5.3 [0.209]	1000
PCMSP-TD12-3	11.8 [0.465]	ø10.6 [0.417]	3.3 [0.130]	29.0 [1.142]	0.8-1.4 [0.031-0.055]	5.3 [0.209]	
PCMSP-TD11-20A	11.5 [0.453]	ø10.0 [0.394]	19.9 [0.783]	28.2 [1.110]	0.8-2.2 [0.031-0.087]	3.6 [0.142]	500

**Plastic Stand-Off 45° Twist Lock**  
Anti-Spin Mount

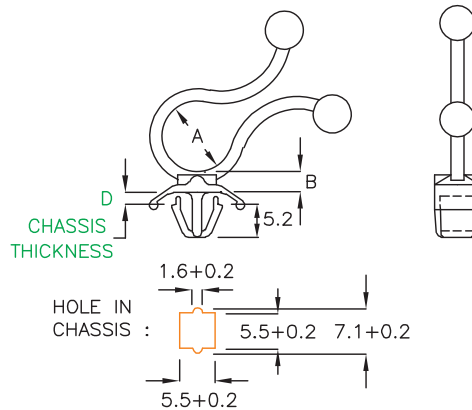


RoHS COMPLIANT

**Specifications:**

**Material:** Nylon 6/6  
**UL Rating:** 94V-2  
**Color:** Natural

Anti-Spin Mount



Part Number	Ref. "A", mm [in.]	Close/Bundle Dia. "A", ø, mm [in.]	Ref. "B", mm [in.]	Chassis Thickness "D", mm [in.]	Standard Package
PCMSP-TDY11-3	11.0 [0.433]	ø9.6 [0.378]	3.2 [0.126]	0.8-1.2 [0.031-0.047]	500

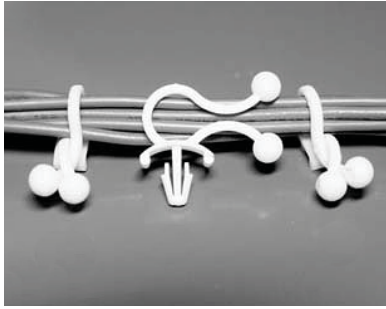
all dimension units in millimeter (mm) unless noted otherwise

www.vaisis.com | P: 626-795-6696 | F: 626-795-6896 | Email: sales@vaisis.com

**Vaisis**

Cable Management

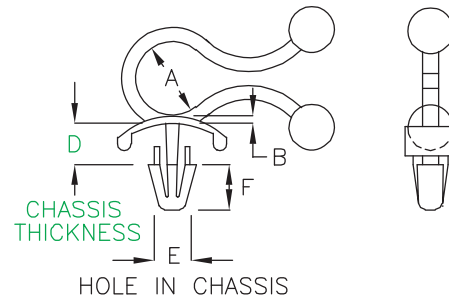
### Plastic Side-Entry Twist Locks Snap-In Arrowhead Mount



RoHS COMPLIANT

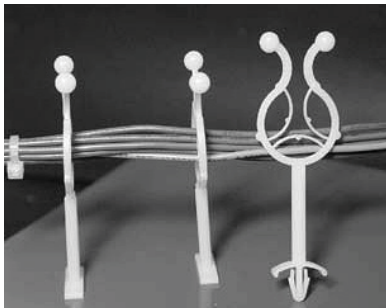
**Specifications:**

**Material:** Nylon 6/6  
**UL Rating:** 94V-2  
**Color:** Natural



Part Number	Ref. "A", mm [in.]	Close/Bundle Dia. "A", ø, mm [in.]	Ref. "B", mm [in.]	Chassis Thickness "D", mm [in.]	Mounting Hole Dia. "E", ø, mm [in.]	Ref. "F", mm [in.]	Standard Package
PCMSP-TDY8-1	8.2 [0.323]	ø7.0 [0.276]	1.0 [0.039]	2.7-3.9 [0.106-0.154]	ø4.0 [0.157]	5.1 [0.201]	1000
PCMSP-TDY8-1A	8.3 [0.327]	ø7.1 [0.280]	1.0 [0.039]	0.8-2.1 [0.031-0.083]	ø3.0 [0.118]	3.7 [0.146]	
PCMSP-TDY8-1C	8.2 [0.323]	ø7.1 [0.280]	1.0 [0.039]	0.8-2.3 [0.031-0.091]	ø4.5 [0.177]	4.9 [0.193]	

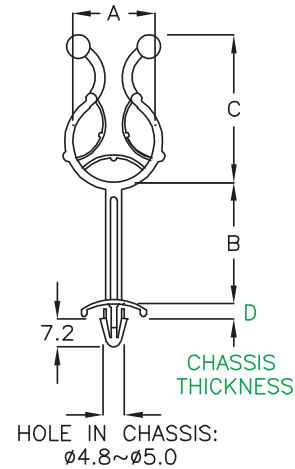
### Plastic Stand-Off Webbed Twist Locks Snap-In Arrowhead Mount



RoHS COMPLIANT

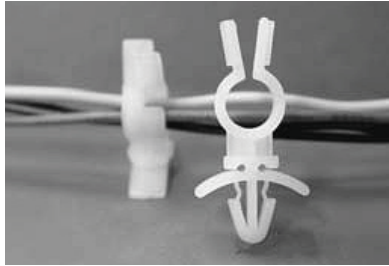
**Specifications:**

**Material:** Nylon 6/6  
**UL Rating:** 94V-2  
**Color:** Natural



Part Number	Ref. "A", mm [in.]	Ref. "B", mm [in.]	Ref. "C", mm [in.]	Max. Bundle Dia., ø, mm [in.]	Chassis Thickness "D", mm [in.]	Standard Package
Mounting Hole Dia. in Chassis = ø4.8 - 5.0 mm [0.189 - 0.197 in.]						
PCMSP-TE21-04	20.5 [0.807]	4.0 [0.157]	37.2 [1.465]	ø14.5 [0.571]	1.0-3.1 [0.039-0.122]	500
PCMSP-TE21-32	20.5 [0.807]	32.1 [1.264]	37.2 [1.465]	ø14.5 [0.571]	1.0-3.1 [0.039-0.122]	
PCMSP-TE21-40	20.5 [0.807]	40.1 [1.579]	37.2 [1.465]	ø14.5 [0.571]	1.0-3.1 [0.039-0.122]	

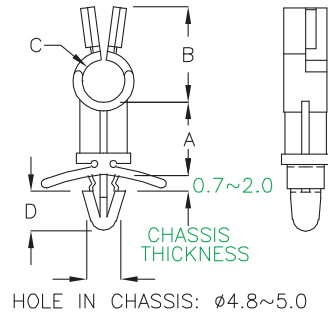
**Plastic Stand-Off Releasable Wire Clamps**  
**Snap-In Arrowhead Mount**



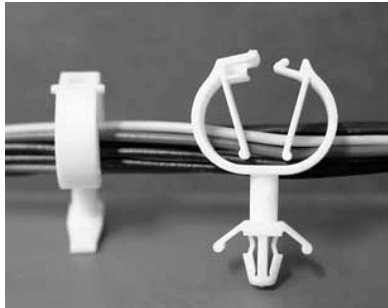
RoHS COMPLIANT

**Specifications:**

**Material:** Nylon 6/6  
**UL Rating:** 94V-2  
**Color:** Natural



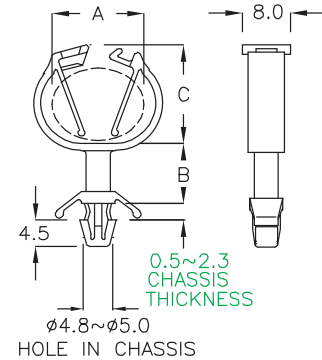
Part Number	Ref. "A", mm [in.]	Ref. "B", mm [in.]	Close/Bundle Dia. "C", mm [in.]	Ref. "D", mm [in.]	Standard Package
Mounting Hole Dia. in Chassis = ø4.5 - 5.0 mm [ø0.177 - 0.197 in.] Chassis Thickness = 0.7 - 2.0 mm [0.028 - 0.079 in.]					
PCMSP-CS-6	6.4 [0.250]	14.0 [0.551]	6.2 [0.244]	5.8 [0.228]	500
PCMSP-CS-12	13.0 [0.512]	14.0 [0.551]	6.2 [0.244]	5.9 [0.232]	



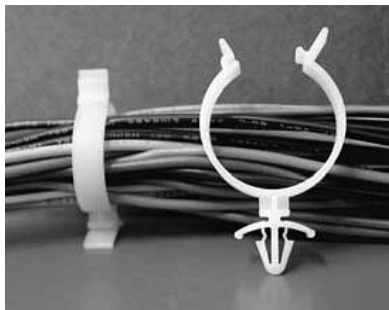
RoHS COMPLIANT

**Specifications:**

**Material:** Nylon 6/6  
**UL Rating:** 94V-0  
**Color:** Natural



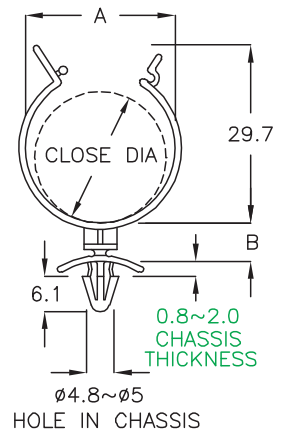
Part Number	Bundle Dia. "A", ø, mm [in.]	Ref. "B", mm [in.]	Ref. "C", mm [in.]	Standard Package
Mounting Hole Dia. in Chassis = ø4.8 - 5.0 mm [0.189 - 0.197 in.] Chassis Thickness = 0.5 - 2.3 mm [0.020 - 0.091 in.]				
PCMSP-TUT-10	ø9.0-12.5 [0.354-0.492]	10.0 [0.394]	15.6 [0.614]	500



RoHS COMPLIANT

**Specifications:**

**Material:** Nylon 6/6  
**UL Rating:** 94V-2  
**Color:** Natural

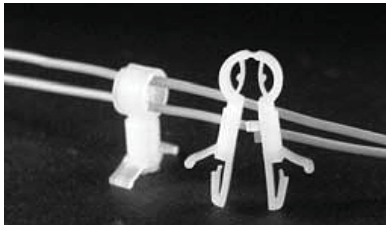


Part Number	Ref. "A", mm [in.]	Close/Bundle Dia. "A", ø, mm [in.]	Ref. "B", mm [in.]	Standard Package
Mounting Hole Dia. in Chassis = ø4.8 - 5.0 mm [0.189 - 0.197 in.] Chassis Thickness = 0.8 - 2.0 mm [0.031 - 0.079 in.]				
PCMSP-TC20-6	24.1 [0.949]	ø20.5 [0.807]	6.6 [0.258]	200

all dimension units in millimeter (mm) unless noted otherwise

www.vaisis.com | P: 626-795-6696 | F: 626-795-6896 | Email: sales@vaisis.com

## Plastic Cable Clamps Split Arrowhead Mount

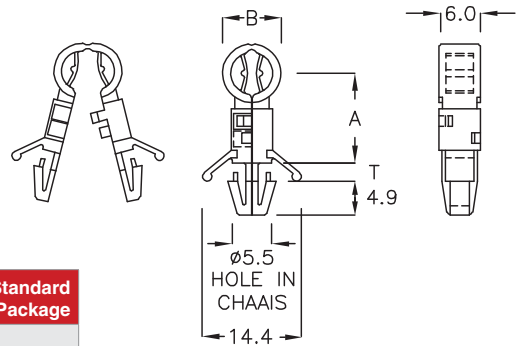


RoHS COMPLIANT

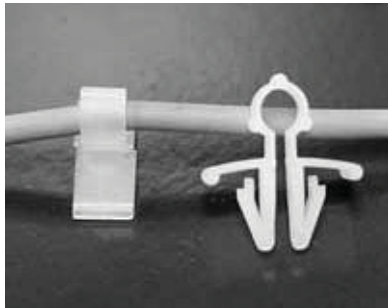
### Specifications:

**Material:** Nylon 6/6  
**UL Rating:** 94V-2  
**Color:** Natural

For Fiber Optics Cable



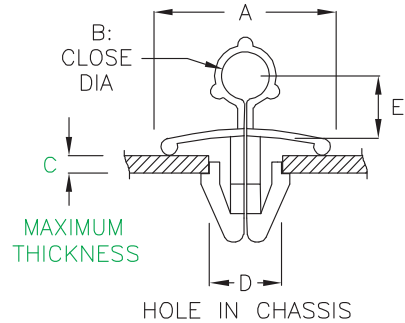
Part Number	Ref. "A", mm [in.]	Ref. "B", mm [in.]	Chassis Thickness "T", mm [in.]	Standard Package
Mounting Hole Dia. in Chassis = $\varnothing 5.5$ mm [ $\varnothing 0.217$ in.]				
PCMS-CCA-13	13.0 [0.512]	8.5 [0.335]	0.8-2.3 [0.031-0.091]	500



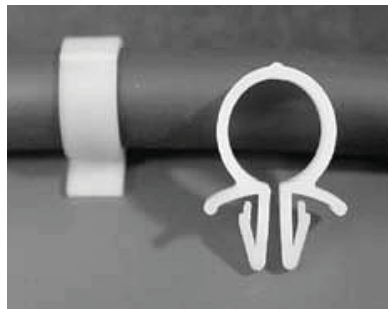
RoHS COMPLIANT

### Specifications:

**Material:** Nylon 6/6  
**UL Rating:** 94V-2  
**Color:** Natural



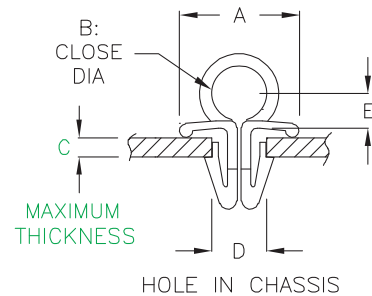
Part Number	Ref. "A", mm [in.]	Close/Bundle Dia. "B", mm [in.]	Max. Chassis Thickness "C", mm [in.]	Mounting Hole Dia. "D", mm [in.]	Ref. "E", mm [in.]	Standard Package
PCMS-TA-3C	15.5 [0.610]	3.8 [0.150]	1.6 [0.063]	6.5 [0.256]	5.7 [0.224]	1000



RoHS COMPLIANT

### Specifications:

**Material:** Nylon 6/6  
**UL Rating:** 94V-2  
**Color:** Natural



Part Number	Ref. "A", mm [in.]	Close/Bundle Dia. "B", mm [in.]	Max. Chassis Thickness "C", mm [in.]	Mounting Hole Dia. "D", mm [in.]	Ref. "E", mm [in.]	Standard Package
PCMS-TA-3M	14.8 [0.583]	3.8 [0.150]	1.2 [0.047]	6.5 [0.256]	5.7 [0.224]	1000
PCMS-TA-5M	11.7 [0.461]	5.0 [0.197]	2.0 [0.079]	6.5 [0.256]	4.3 [0.169]	
PCMS-TA-6	12.5 [0.492]	5.5 [0.217]	2.0 [0.079]	5.5 [0.217]	5.0 [0.197]	
PCMS-TA-7	14.1 [0.555]	7.5 [0.295]	2.0 [0.079]	5.5 [0.217]	4.6 [0.181]	
PCMS-TA-8	16.5 [0.650]	8.4 [0.331]	1.6 [0.063]	6.0 [0.236]	6.2 [0.244]	
PCMS-TA-8A	13.5 [0.531]	8.4 [0.331]	1.6 [0.063]	5.5 [0.217]	6.2 [0.244]	
PCMS-TA-11	16.2 [0.638]	11.1 [0.437]	1.9 [0.075]	6.0 [0.236]	7.0 [0.276]	

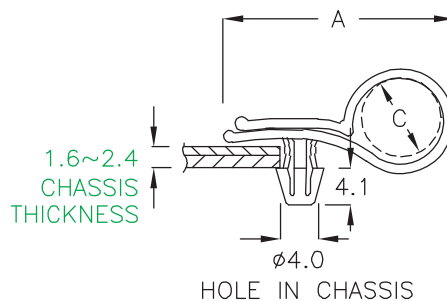
### Plastic Cable Hanger One-Piece, Arrowhead/Rivet Mount



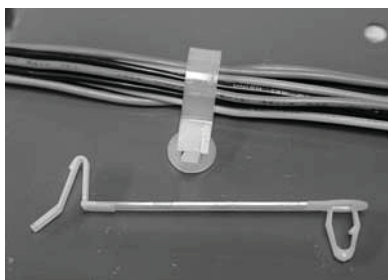
RoHS COMPLIANT

**Specifications:**

**Material:** Nylon 6/6  
**UL Rating:** 94V-2  
**Color:** Natural



Part Number	Ref. "A", mm [in.]	Close/Bundle Dia. "C", ø, mm [in.]	Standard Package
Mounting Hole Dia. in chassis = 4.0 mm [0.157 in.] Chassis Thickness = 1.6 - 2.4 mm [0.063 - 0.094 in.]			
PCMS-PC-08T	24.4 [0.961]	ø7.8 [0.307]	500

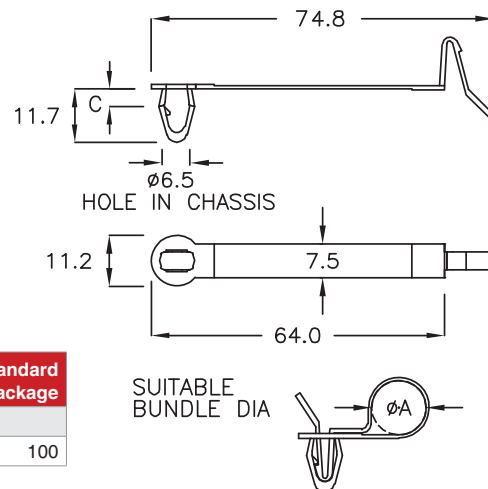


RoHS COMPLIANT

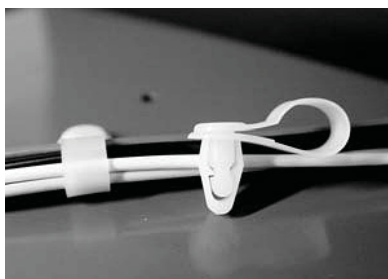
**Specifications:**

**Material:** Nylon 6/6  
**UL Rating:** 94V-2  
**Color:** Natural

Releasable Design



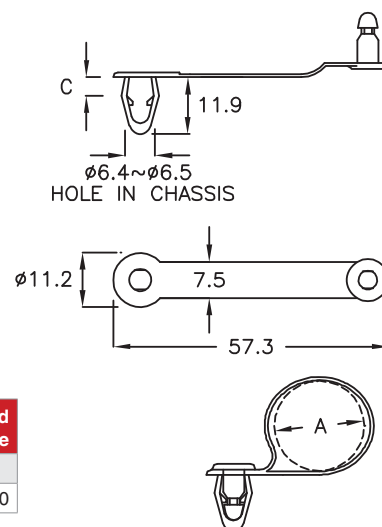
Part Number	Bundle Dia. "A", ø, mm [in.]	Chassis Thickness "C", mm [in.]	Standard Package
Mounting Hole Dia. in chassis = 6.5 mm [0.256 in.]			
PCMS-PDT-1A	ø13.0 [0.512]	0.8-2.4 [0.031-0.094]	100



RoHS COMPLIANT

**Specifications:**

**Material:** Nylon 6/6  
**UL Rating:** 94V-2  
**Color:** Natural



Part Number	Bundle Dia. "A", ø, mm [in.]	Chassis Thickness "C", mm [in.]	Standard Package
Mounting Hole Dia. in chassis = 6.4 - 6.5 mm [0.252 - 0.256 in.]			
PCMS-PDT-10	ø9.5-11.0 [0.374-0.433]	0.8-2.4 [0.031-0.094]	500

all dimension units in millimeter (mm) unless noted otherwise

www.vaisis.com | P: 626-795-6696 | F: 626-795-6896 | Email: sales@vaisis.com

## Plastic Side-Entry Single Cable Clamps Anti-Spin Mount

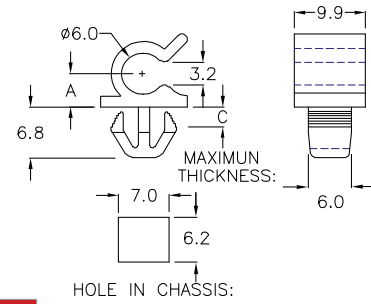


RoHS COMPLIANT

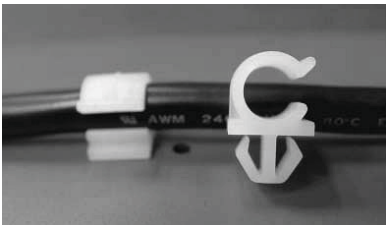
### Specifications:

**Material:** Nylon 6/6  
**UL Rating:** 94V-2  
**Color:** Natural

Anti-Spin Mount



Part Number	Ref. "A", mm [in.]	Max. Panel Thickness "C", mm [in.]	Standard Package
PCMS-CH-06S	4.6 [0.181]	2.0 [0.079]	500

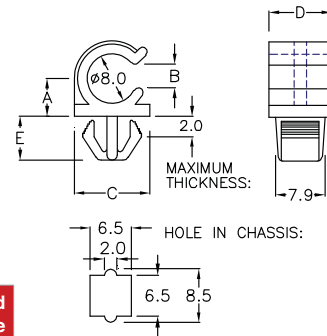


RoHS COMPLIANT

### Specifications:

**Material:** Nylon 6/6  
**UL Rating:** 94V-2  
**Color:** Natural

Anti-Spin Mount



Part Number	Ref. "A", mm [in.]	Ref. "B", mm [in.]	Ref. "C", mm [in.]	Ref. "D", mm [in.]	Ref. "E", mm [in.]	Standard Package
Max. Panel Thickness = 2.0 mm [0.079]						
PCMS-CH-09S	6.0 [0.236]	3.8 [0.150]	12.0 [0.472]	9.9 [0.390]	7.1 [0.280]	500
PCMS-CH-09A	7.1 [0.280]	4.8 [0.189]	11.6 [0.457]	8.0 [0.315]	5.4 [0.213]	
PCMS-CH-09C	6.5 [0.256]	3.8 [0.150]	13.5 [0.531]	9.9 [0.390]	7.0 [0.276]	

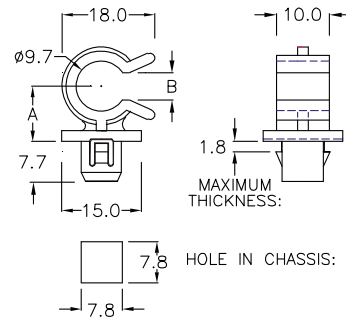


RoHS COMPLIANT

### Specifications:

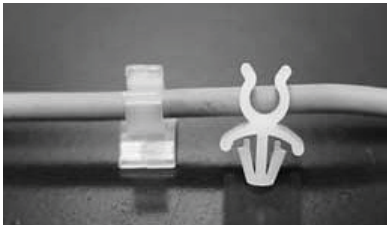
**Material:** Nylon 6/6  
**UL Rating:** 94V-2  
**Color:** Natural

Anti-Spin Mount



Part Number	Ref. "A", mm [in.]	Ref. "B", mm [in.]	Standard Package
Max. Panel Thickness = 1.8 mm [0.071]			
PCMS-CH-09	10.5 [0.411]	5.6 [0.220]	200

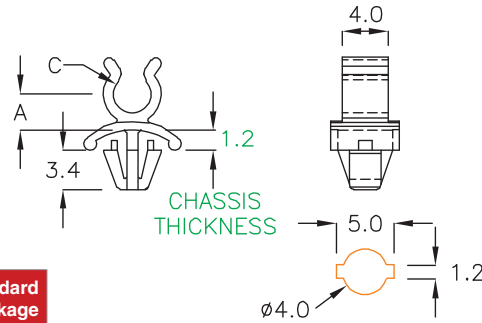
**Plastic Single Cable Clips**  
Snap-in Arrowhead Mount



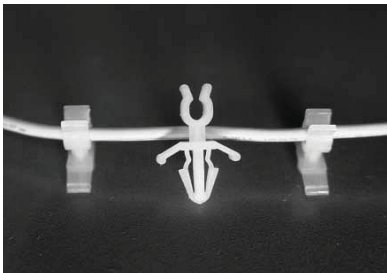
RoHS COMPLIANT

**Specifications:**

**Material:** Nylon 6/6  
**UL Rating:** 94V-2  
**Color:** Natural



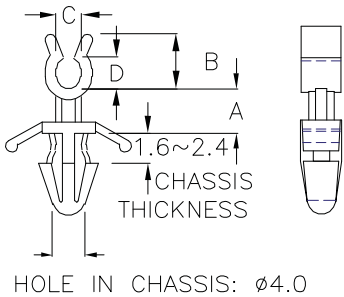
Part Number	Ref. "A", mm [in.]	Wire Dia. "C", ø, mm [in.]	Standard Package
Mounting Hole Dia. in Chassis = See Drawing Chassis Thickness = 1.2 mm [0.047 in.]			
PCMS-01C	3.2 [0.126]	ø3.3 [0.130]	2000



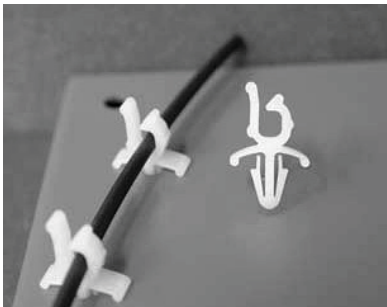
RoHS COMPLIANT

**Specifications:**

**Material:** Nylon 6/6  
**UL Rating:** 94V-2  
**Color:** Natural



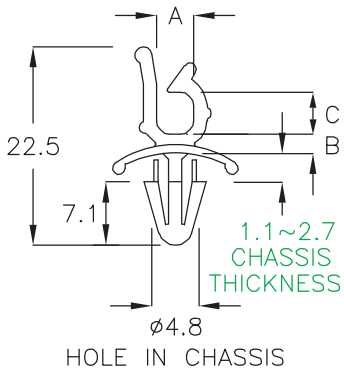
Part Number	Ref. "A", mm [in.]	Ref. "B", mm [in.]	Ref. "C", mm [in.]	Ref. "D", mm [in.]	Ref. "E", mm [in.]	Standard Package
Mounting Hole Dia. in chassis = ø4.0 mm [0.157 in.] Chassis Thickness = 1.6 - 2.4 mm [0.063 - 0.094 in.]						
PCMS-04A	4.0 [0.157]	5.0 [0.197]	2.3 [0.091]	2.9 [0.114]	4.9 [0.193]	1000
PCMS-04C	4.5 [0.177]	5.0 [0.197]	2.0 [0.079]	2.0 [0.079]	4.8 [0.189]	



RoHS COMPLIANT

**Specifications:**

**Material:** Nylon 6/6  
**UL Rating:** 94V-2  
**Color:** Natural



Part Number	Ref. "A", mm [in.]	Ref. "B", mm [in.]	Ref. "C", mm [in.]	Standard Package
Mounting Hole Dia. in chassis = ø4.8 mm [0.189 in.] Chassis Thickness = 1.1 - 2.7 mm [0.043 - 0.106 in.]				
PCMS-TA-5	4.2 [0.165]	2.5 [0.098]	4.7 [0.185]	1000

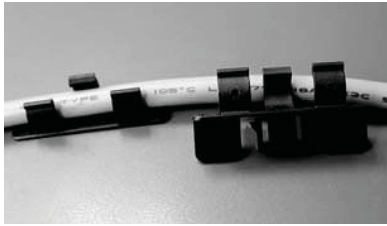
all dimension units in millimeter (mm) unless noted otherwise

www.vaisis.com | P: 626-795-6696 | F: 626-795-6896 | Email: sales@vaisis.com

**Vaisis**

Cable Management

### Plastic Single Cable Clamps Snap-in Mount

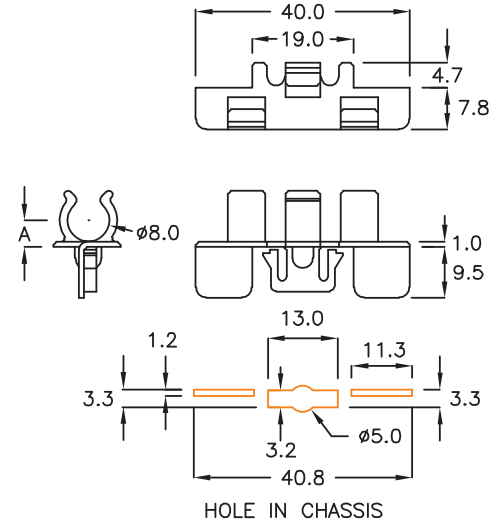


RoHS COMPLIANT

**Specifications:**

**Material:** Nylon 6/6  
**UL Rating:** 94V-2  
**Color:** Black

Anti-Spin Mount



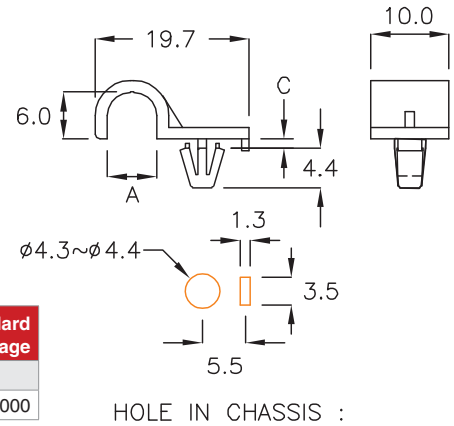
Part Number	Ref. "A", mm [in.]	Standard Package
To Fit Wire Dia. up to = $\phi 8.0$ mm [0.315 in.]		
PCMS-P-CHY-01	5.0 [0.197]	500



RoHS COMPLIANT

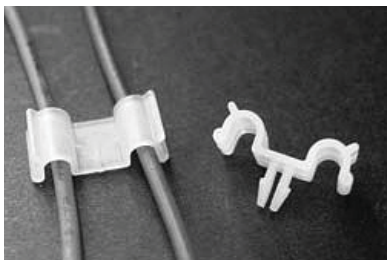
**Specifications:**

**Material:** Nylon 6/6  
**UL Rating:** 94V-2  
**Color:** Natural



Part Number	Ref. "A", mm [in.]	Max. Chassis Thickness "C", mm [in.]	Standard Package
Mounting Hole Dia. in Chassis = See Drawing			
PCMS-CU-06A	6.4 [0.252]	1.1 [0.043]	1000

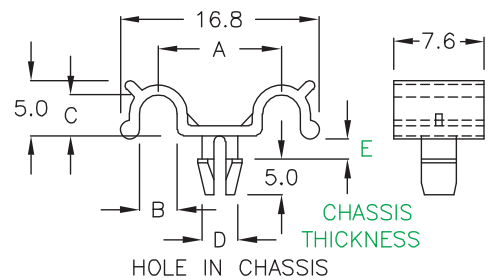
### Plastic Dual Cable Clamps Snap-in Arrowhead Mount



RoHS COMPLIANT

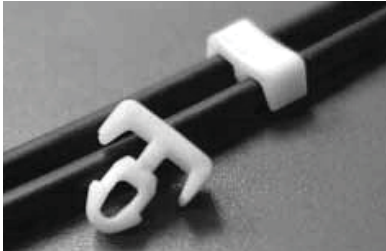
**Specifications:**

**Material:** Nylon 6/6  
**UL Rating:** 94V-2  
**Color:** Natural



Part Number	Ref. "A", mm [in.]	Ref. "B", mm [in.]	Ref. "C", mm [in.]	Mounting Hole Dia. "D", mm [in.]	Chassis Thickness "E", mm [in.]	Standard Package
PCMS-CIC-01	10.4 [0.409]	3.2 [0.126]	3.4 [0.134]	3.2 [0.126]	1.6-1.8 [0.063-0.071]	1000

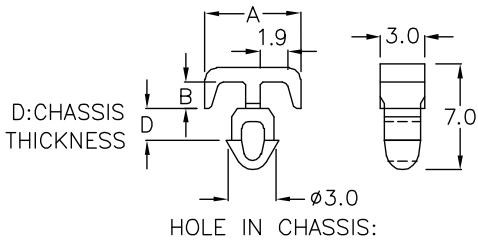
**Plastic Dual Cable Clamps**  
Snap-in Arrowhead Mount



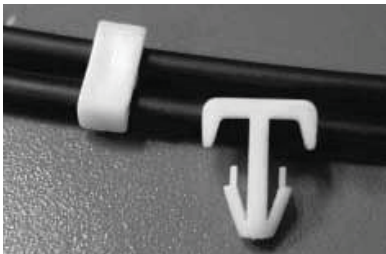
**RoHS COMPLIANT**

**Specifications:**

**Material:** Nylon 6/6  
**UL Rating:** 94V-2  
**Color:** Natural



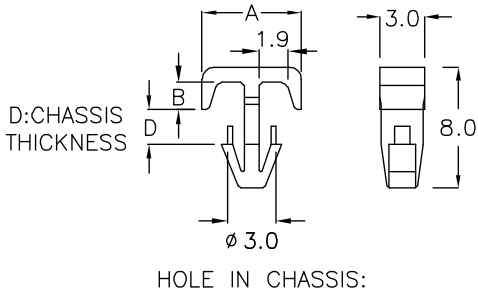
Part Number	Ref. "A", mm [in.]	Ref. "B", mm [in.]	Chassis Thickness "D", mm [in.]	Standard Package
Mount Hole Dia. in Chassis = $\phi$ 3.0 mm [0.118 in.]				
PCMS-PCS-1A	6.6 [0.260]	1.8 [0.071]	2.0 [0.079]	2000



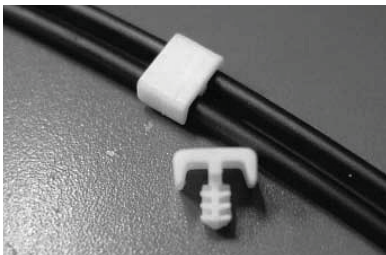
**RoHS COMPLIANT**

**Specifications:**

**Material:** Nylon 6/6  
**UL Rating:** 94V-2  
**Color:** Natural



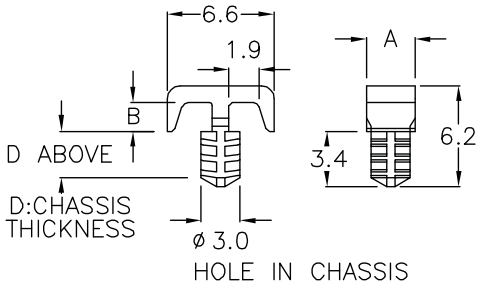
Part Number	Ref. "A", mm [in.]	Ref. "B", mm [in.]	Chassis Thickness "D", mm [in.]	Standard Package
Mounting Hole Dia. in chassis = $\phi$ 3.0 mm [0.118 in.]				
PCMS-PCS-3A	6.6 [0.260]	1.8 [0.071]	2.0 [0.079]	2000



**RoHS COMPLIANT**

**Specifications:**

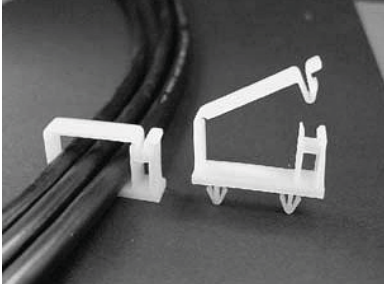
**Material:** Nylon 6/6  
**UL Rating:** 94V-2  
**Color:** Natural



Part Number	Ref. "A", mm [in.]	Ref. "B", mm [in.]	Chassis Thickness "D", mm [in.]	Standard Package
Mounting Hole Dia. in chassis = $\phi$ 3.0 mm [0.118 in.]				
PCMS-PCS-4A	5.0 [0.197]	1.8 [0.071]	3.0 [0.118]	2000
PCMS-PCS-5A	3.0 [0.118]	1.8 [0.071]	3.0 [0.118]	

all dimension units in millimeter (mm) unless noted otherwise

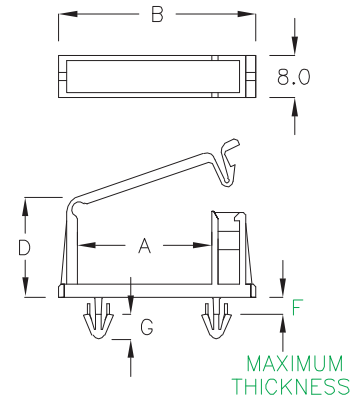
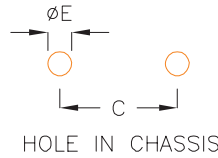
## Plastic Releasable Cable Clamps Snap-in Arrowhead Mount



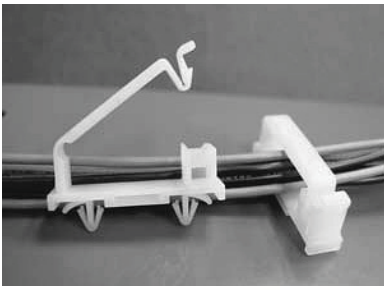
RoHS COMPLIANT

### Specifications:

**Material:** Nylon 6/6  
**UL Rating:** 94V-2  
**Color:** Natural



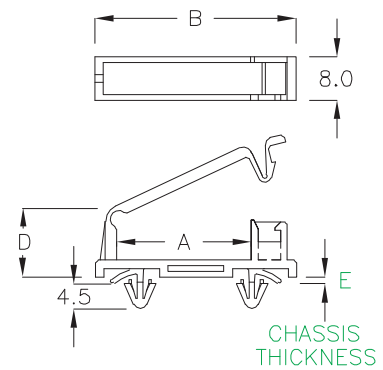
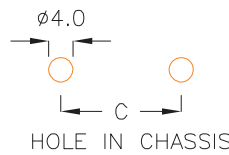
Part Number	Ref. "A", mm [in.]	Ref. "B", mm [in.]	Ref. "C", mm [in.]	Ref. "D", mm [in.]	Mounting Hole Dia. "E", $\varnothing$ , mm [in.]	Max. Chassis Thickness "F", mm [in.]	Ref. "G", mm [in.]	Standard Package
PCMSP-CKK-03	19.1 [0.752]	31.0 [1.220]	16.0 [0.630]	18.6 [0.732]	$\varnothing 4.0$ [0.157]	3.0 [0.118]	4.9 [0.193]	500
PCMSP-CKK-03A	16.6 [0.654]	28.0 [1.102]	16.0 [0.630]	18.8 [0.740]	$\varnothing 4.0$ [0.157]	3.0 [0.118]	4.9 [0.193]	
PCMSP-CKK-03C	16.6 [0.654]	28.0 [1.102]	16.0 [0.630]	17.7 [0.697]	$\varnothing 3.2$ [0.126]	1.0 [0.039]	4.9 [0.193]	
PCMSP-CKK-04	24.1 [0.949]	34.3 [1.350]	20.0 [0.787]	17.9 [0.705]	$\varnothing 4.0$ [0.157]	3.0 [0.118]	4.9 [0.193]	
PCMSP-CKK-05	24.1 [0.949]	36.0 [1.417]	20.0 [0.787]	12.2 [0.480]	$\varnothing 4.0$ [0.157]	3.0 [0.118]	4.8 [0.189]	



RoHS COMPLIANT

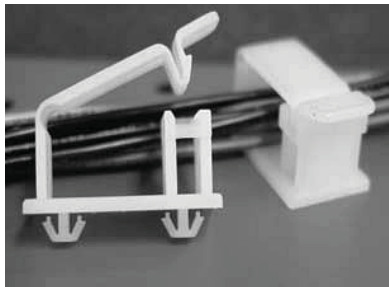
### Specifications:

**Material:** Nylon 6/6  
**UL Rating:** 94V-2  
**Color:** Natural



Part Number	Ref. "A", mm [in.]	Ref. "B", mm [in.]	Ref. "C", mm [in.]	Ref. "D", mm [in.]	Chassis Thickness "E", mm [in.]	Pkg.
Mounting Hole Dia. in chassis = $\varnothing 4.0$ mm [ $\varnothing 0.157$ in.]						
PCMSP-CKK-05A	24.1 [0.949]	36.0 [1.417]	20.0 [0.787]	12.4 [0.488]	0.8-1.0 [0.031-0.039]	500
PCMSP-CKK-05C	24.1 [0.949]	36.0 [1.417]	20.0 [0.787]	12.4 [0.488]	0.8-2.0 [0.031-0.079]	
PCMSP-CKK-05D	28.1 [1.106]	40.0 [1.575]	20.0 [0.787]	13.3 [0.524]	0.8-1.0 [0.031-0.039]	

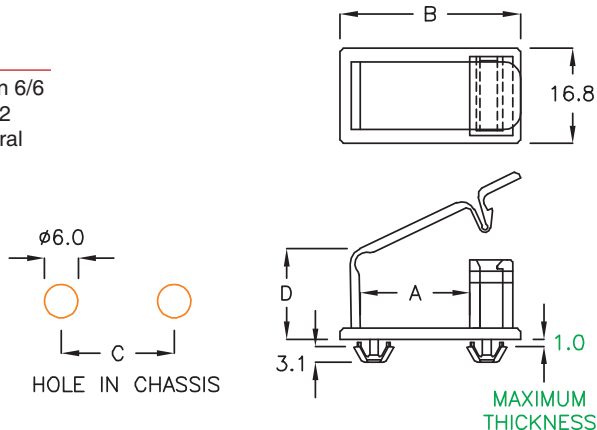
**Plastic Releasable Cable Clamps**  
Snap-in Arrowhead Mount



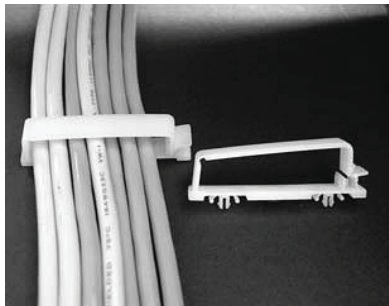
RoHS COMPLIANT

**Specifications:**

**Material:** Nylon 6/6  
**UL Rating:** 94V-2  
**Color:** Natural



Part Number	Ref. "A", mm [in.]	Ref. "B", mm [in.]	Ref. "C", mm [in.]	Ref. "D", mm [in.]	Standard Package
Mounting Hole Dia. in chassis = $\phi 6.0$ mm [ $\phi 0.236$ in.]					
PCMS-CKK-06	19.4 [0.764]	31.9 [1.256]	20.0 [0.787]	15.2 [0.598]	500



RoHS COMPLIANT

**Specifications:**

**Material:** Nylon 6/6  
**UL Rating:** 94V-2  
**Color:** Natural

Fig. 1

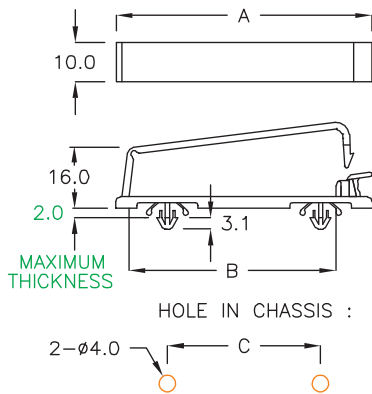
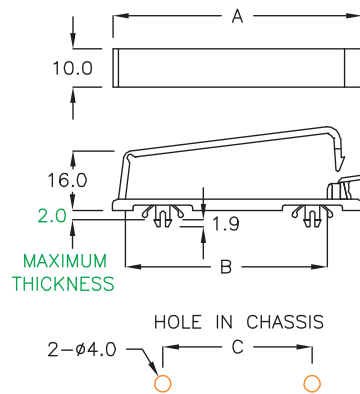


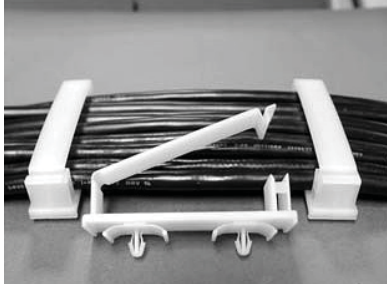
Fig. 2



Part Number	Figure	Ref. "A", mm [in.]	Ref. "B", mm [in.]	Ref. "C", mm [in.]	Standard Package
Mounting Hole Dia. in Chassis = $\phi 4.0$ mm [ $\phi 0.157$ in.] Max. Chassis Thickness = 2.0 mm [0.079 in.]					
PCMS-FCC-40A	1	67.0 [2.638]	53.5 [2.106]	40.0 [1.575]	100
Mounting Hole Dia. in Chassis = $\phi 4.0$ mm [ $\phi 0.157$ in.] Max. Chassis Thickness = 2.0 mm [0.079 in.]					
PCMS-FCC-40D	2	67.0 [2.638]	53.5 [2.106]	40.0 [1.575]	100

all dimension units in millimeter (mm) unless noted otherwise

## Plastic Releasable Cable Clamps Sanp-in Arrowhead Mount



RoHS COMPLIANT

### Specifications:

**Material:** Nylon 6/6  
**UL Rating:** 94V-2  
**Color:** Natural

Fig. 1

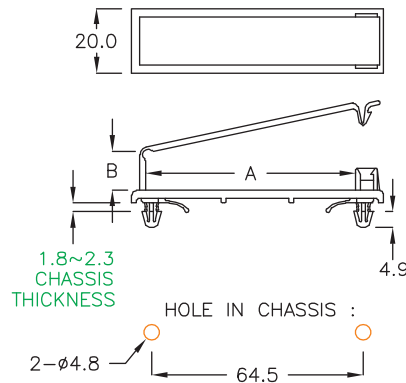
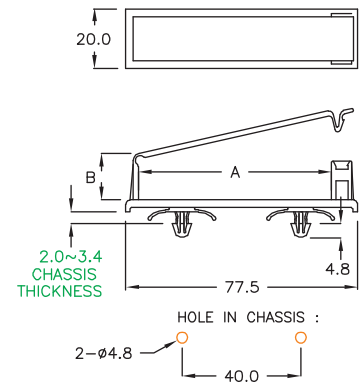


Fig. 2



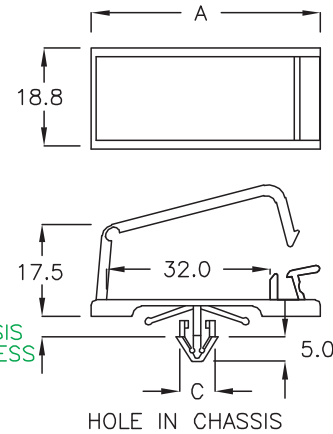
Part Number	Figure	Ref. "A", mm [in.]	Ref. "B", mm [in.]	Standard Package
Mounting Hole Dia. in chassis = ø4.8 mm [ø0.189 in.] Chassis Thickness = 1.8 - 2.3 mm [0.071 - 0.091 in.]				
PCMSP-FAA-50	1	64.0 [2.520]	7.0 [0.276]	100
PCMSP-FAA-51		64.0 [2.520]	13.7 [0.539]	
Mounting Hole Dia. in chassis = ø4.8 mm [ø0.189 in.] Chassis Thickness = 2.0 - 3.4 mm [0.079 - 0.134 in.]				
PCMSP-FAA-51A	2	65.1 [2.563]	15.4 [0.606]	100



RoHS COMPLIANT

### Specifications:

**Material:** Nylon 6/6  
**UL Rating:** 94V-2  
**Color:** Natural



Part Number	Ref. "A", mm [in.]	Chassis Thickness "B", mm [in.]	Mounting Hole Dia. "C", mm [in.]	Standard Package
PCMSP-FWH-01	44.8 [1.764]	1.8-3.2 [0.071-0.126]	6.4 [0.252]	200

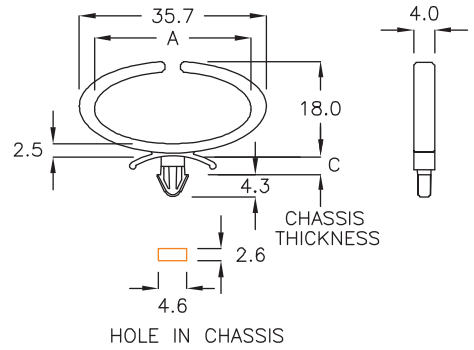
**Plastic Wire Clamps**  
Snap-in Arrowhead Mount



**RoHS COMPLIANT**

**Specifications:**

**Material:** Nylon 6/6  
**UL Rating:** 94V-2  
**Color:** Black



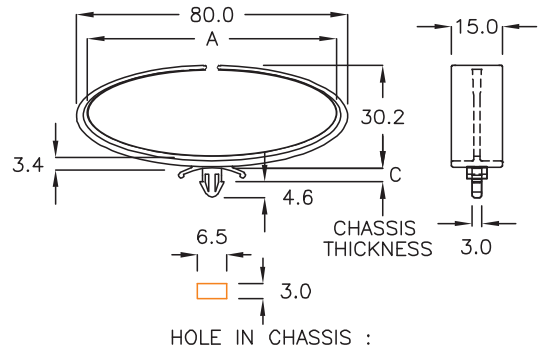
Part Number	Ref. "A", mm [in.]	Chassis Thickness "C", mm [in.]	Standard Package
PCMS-CHP-2A	29.9 [1.177]	1.2-2.8 [0.047-0.110]	500



**RoHS COMPLIANT**

**Specifications:**

**Material:** Nylon 6/6  
**UL Rating:** 94V-2  
**Color:** Black



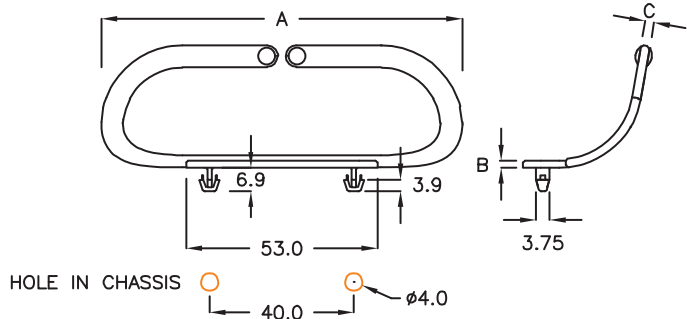
Part Number	Ref. "A", mm [in.]	Chassis Thickness "C", mm [in.]	Standard Package
PCMS-CHP-8A	73.5 [2.894]	2.5-3.5 [0.098-0.138]	100



**RoHS COMPLIANT**

**Specifications:**

**Material:** Nylon 6/6  
**UL Rating:** 94V-2  
**Color:** Natural



Part Number	Ref. "A", mm [in.]	Ref. "B", mm [in.]	Ref. "C", mm [in.]	Standard Package
Chassis Thickness = 3.0 mm [0.118 in.]				
PCMS-CKF-40	100.0 [3.937]	2.0 [0.079]	2.5 [0.098]	100

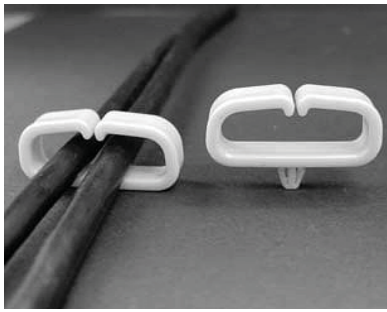
all dimension units in millimeter (mm) unless noted otherwise

www.vaisis.com | P: 626-795-6696 | F: 626-795-6896 | Email: sales@vaisis.com

**Vaisis**

## Plastic Wire Clamps

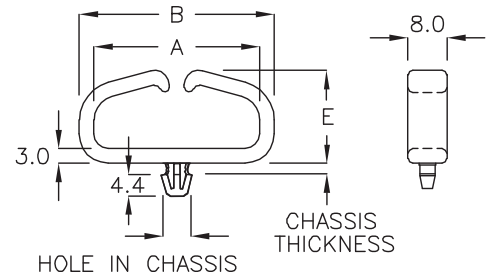
### Snap-in Arrowhead Mount



**RoHS COMPLIANT**

**Specifications:**

**Material:** Nylon 6/6  
**UL Rating:** 94V-2  
**Color:** Natural



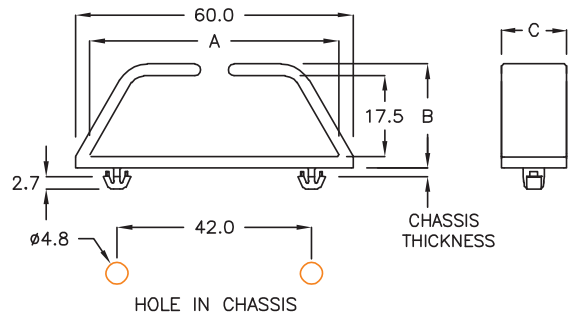
Part Number	Ref. "A", mm [in.]	Ref. "B", mm [in.]	Ref. "E", mm [in.]	Standard Package
Mounting Hole Dia. in chassis = $\varnothing 4.9 - 5.0$ mm [0.193 - 0.197 in.] Chassis Thickness = 1.8 - 2.0 mm [0.071 - 0.079 in.]				
PCMSP-CKQ-40	33.8 [1.331]	39.8 [1.567]	18.5 [0.728]	500
PCMSP-CKQ-44	41.6 [1.638]	48.8 [1.921]	23.4 [0.921]	200
PCMSP-CKQ-55	49.0 [1.929]	55.0 [2.165]	18.3 [0.720]	



**RoHS COMPLIANT**

**Specifications:**

**Material:** Nylon 6/6  
**UL Rating:** 94V-2  
**Color:** Black



Part Number	Ref. "A", mm [in.]	Ref. "B", mm [in.]	Ref. "C", mm [in.]	Standard Package
Mounting Hole Dia. in chassis = $\varnothing 4.8$ mm [0.189 in.] Chassis Thickness = 1.5 mm [0.059 in.]				
PCMSP-CKQ-60	53.8 [2.118]	22.5 [0.886]	14.0 [0.551]	200

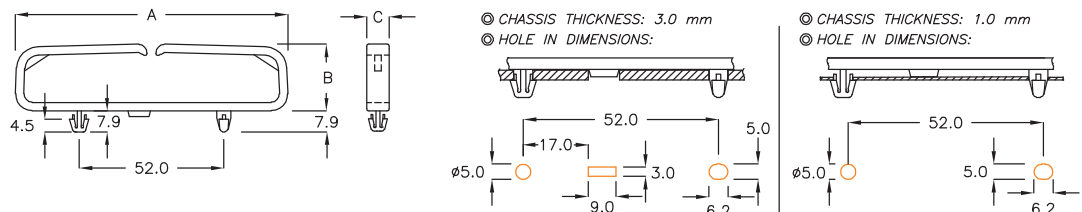


Part Number	Ref. "A", mm [in.]	Ref. "B", mm [in.]	Ref. "C", mm [in.]	Standard Package
Mounting Hole Dia. in chassis = $\varnothing 5.0$ mm [0.197 in.] Chassis Thickness = 1.0 mm [0.039 in.] OR 3.0 mm [0.118 in.] (See Drawing for Details)				
PCMSP-CKQ-98	98.0 [3.858]	24.0 [0.945]	8.0 [0.315]	100

**RoHS COMPLIANT**

**Specifications:**

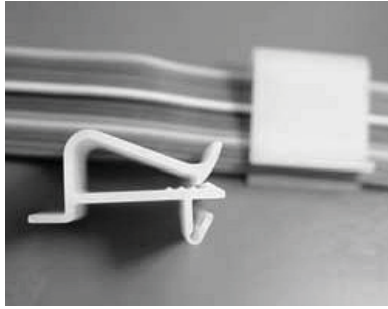
**Material:** Nylon 6/6  
**UL Rating:** 94V-2  
**Color:** Natural



⊙ CHASSIS THICKNESS: 3.0 mm  
 ⊙ HOLE IN DIMENSIONS:

⊙ CHASSIS THICKNESS: 1.0 mm  
 ⊙ HOLE IN DIMENSIONS:

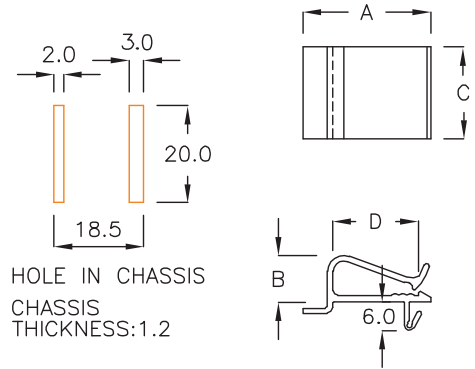
**Plastic Flat Cable Clamps**  
Snap-in Arrowhead Mount



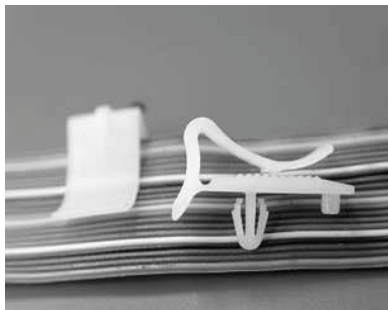
RoHS COMPLIANT

**Specifications:**

**Material:** Nylon 6/6  
**UL Rating:** 94V-2  
**Color:** Natural



Part Number	Ref. "A", mm [in.]	Ref. "B", mm [in.]	Ref. "C", mm [in.]	Ref. "D", mm [in.]	Standard Package
Chassis Thickness = 1.2 mm [0.047 in.]					
PCMSP-LFC-01	26.4 [1.039]	9.6 [0.378]	19.0 [0.748]	17.6 [0.693]	200



RoHS COMPLIANT

**Specifications:**

**Material:** Nylon 6/6  
**UL Rating:** 94V-2  
**Color:** Natural

Fig. 1

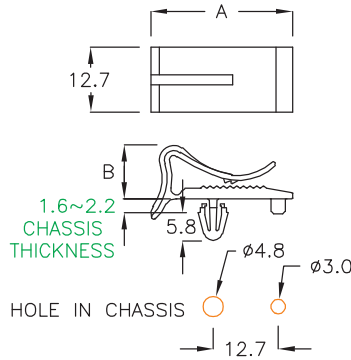
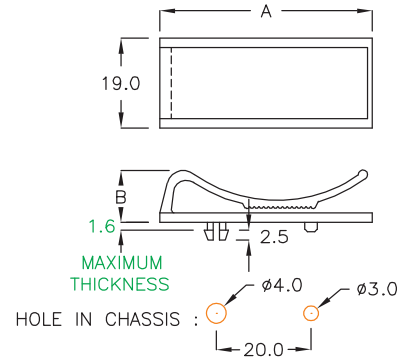


Fig. 2

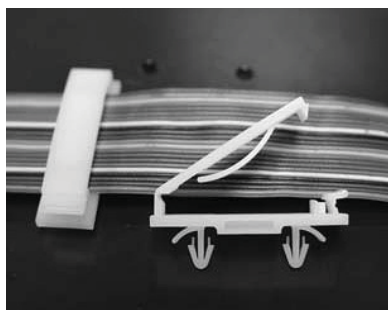


Part Number	Figure	Ref. "A", mm [in.]	Ref. "B", mm [in.]	Standard Package
Chassis Thickness = 1.6 - 2.2 mm [0.063 - 0.087 in.]				
PCMSP-FC-27N	1	27.8 [1.094]	10.5 [0.413]	500
Max. Chassis Thickness = 1.6 mm [0.063 in.]				
PCMSP-FC-45N	2	45.0 [1.772]	10.9 [0.429]	200

all dimension units in millimeter (mm) unless noted otherwise

## Plastic Releasable Flat Cable Clamps

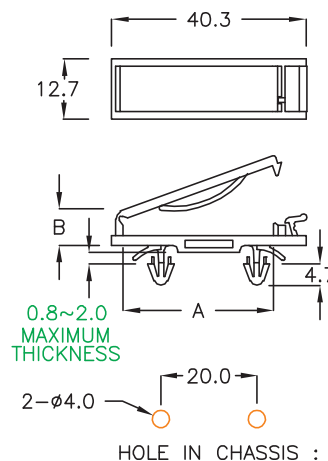
### Snap-in Arrowhead Mount



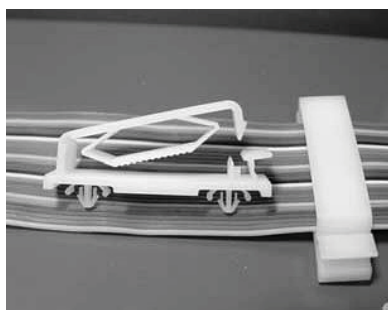
RoHS COMPLIANT

#### Specifications:

**Material:** Nylon 6/6  
**UL Rating:** 94V-2  
**Color:** Natural



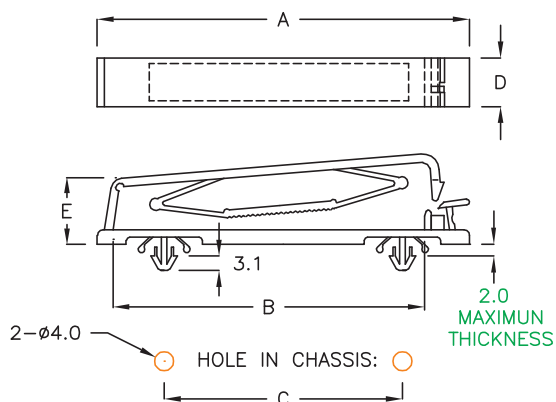
Part Number	Ref. "A", mm [in.]	Ref. "B", mm [in.]	Standard Package
Mounting Hole Dia. in chassis = ø4.0 mm [0.157 in.] Chassis Thickness = 0.8 - 2.0 mm [0.031 - 0.079 in.]			
PCMSP-FCC-20	31.3 [1.232]	7.1 [0.280]	500



RoHS COMPLIANT

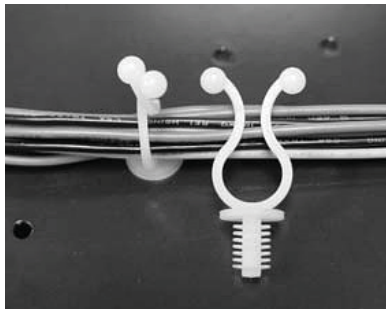
#### Specifications:

**Material:** Nylon 6/6  
**UL Rating:** 94V-2  
**Color:** Natural



Part Number	Ref. "A", mm [in.]	Ref. "B", mm [in.]	Ref. "C", mm [in.]	Ref. "D", mm [in.]	Ref. "E", mm [in.]	Suitable Cable	Standard Package
Mounting Hole Dia. in chassis = ø4.0 mm [0.157 in.] Max. Chassis Thickness = 2.0 mm [0.079 in.]							
PCMSP-FCC-15A	32.6 [1.283]	14.4 [0.567]	15.0 [0.591]	9.1 [0.358]	13.7 [0.539]	10 PIN	200
PCMSP-FCC-25A	39.6 [1.559]	25.0 [0.984]	20.0 [0.787]	13.3 [0.524]	13.0 [0.512]	20 PIN	
PCMSP-FCC-30A	55.0 [2.165]	39.6 [1.559]	35.0 [1.378]	12.5 [0.492]	13.0 [0.512]	30 PIN	100
PCMSP-FCC-40B	67.0 [2.638]	54.0 [2.126]	40.0 [1.575]	10.0 [0.394]	16.2 [0.638]	40 PIN	
PCMSP-FCC-50A	77.6 [3.055]	64.6 [2.543]	49.7 [1.957]	10.1 [0.398]	13.6 [0.535]	50 PIN	
PCMSP-FCC-50C	77.0 [3.031]	64.3 [2.531]	49.7 [1.957]	10.0 [0.394]	12.8 [0.504]	50 PIN	

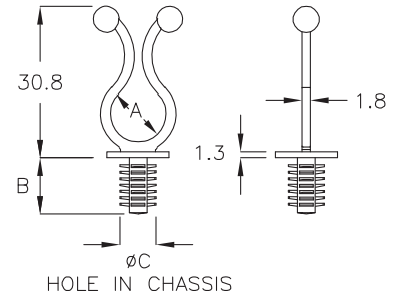
### Plastic Twist Lock Blind Hole Mount



RoHS COMPLIANT

**Specifications:**

**Material:** Nylon 6/6  
**UL Rating:** 94V-2  
**Color:** Natural



Part Number	Ref. "A", mm [in.]	Close/Bundle Dia. "A", ø, mm [in.]	Ref. "B", mm [in.]	Mounting Hole Dia. "C", ø, mm [in.]	Standard Package
PCMSP-TG12-03	11.8 [0.465]	ø10.5 [0.413]	11.5 [0.453]	ø6.4 [0.250]	500

### Plastic Releasable Wire Saddle Quarter-Turn Mount

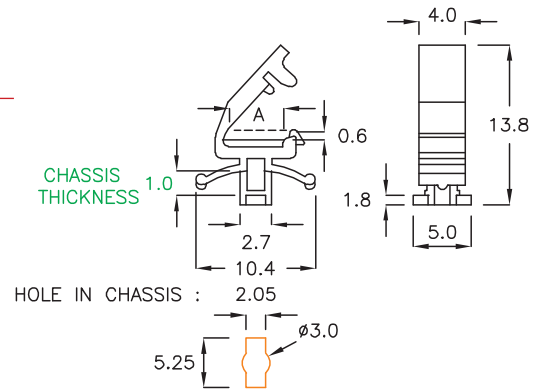


RoHS COMPLIANT

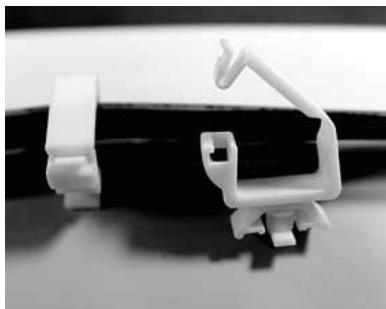
**Specifications:**

**Material:** Nylon 6/6  
**UL Rating:** 94V-2  
**Color:** Natural

**Quarter Turn Mount:**  
 Insert, press down and turn 90°



Part Number	Ref. "A", mm [in.]	Standard Package
Chassis Thickness = 1.0 mm [0.039 in.]		
PCMSP-CKA-2A	4.0 [0.157]	2000

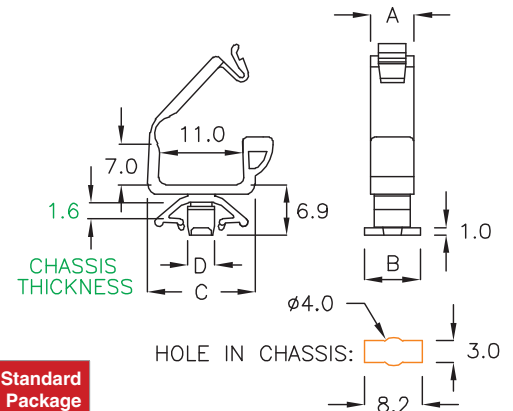


RoHS COMPLIANT

**Specifications:**

**Material:** Nylon 6/6  
**UL Rating:** 94V-2  
**Color:** Natural

**Quarter Turn Mount:**  
 Insert, press down and turn 90°

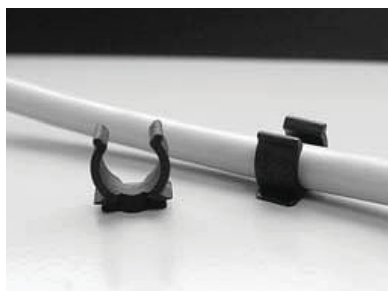


Part Number	Ref. "A", mm [in.]	Ref. "B", mm [in.]	Ref. "C", mm [in.]	Ref. "D", ø, mm [in.]	Standard Package
Chassis Thickness = 1.6 mm [0.063 in.]					
PCMSP-CKB-7A	6.0 [0.236]	7.8 [0.307]	15.0 [0.591]	ø3.7 [0.146]	500

all dimension units in millimeter (mm) unless noted otherwise

www.vaisis.com | P: 626-795-6696 | F: 626-795-6896 | Email: sales@vaisis.com

## Plastic Single Cable Clamp Quarter-Turn Mount

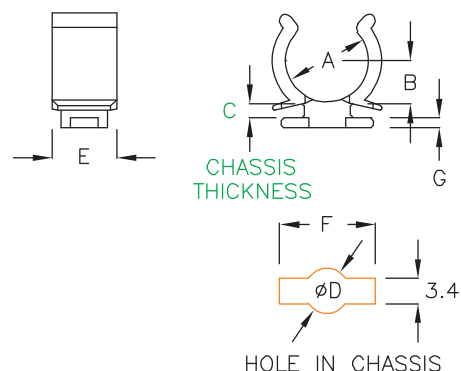


**RoHS COMPLIANT**

### Specifications:

**Material:** Nylon 6/6  
**UL Rating:** 94V-2  
**Color:** Black

**Quarter Turn Mount:**  
 Insert, press down and turn 90°



Part Number	Max. Wire Dia. "A", $\phi$ , mm [in.]	Ref. "B", mm [in.]	Chassis Thickness "C", mm [in.]	Dia. "D", $\phi$ , mm [in.]	Ref. "E", mm [in.]	Ref. "F", mm [in.]	Ref. "G", mm [in.]	Standard Package
PCMSP-CHQ-03	$\phi 3.1$ [0.122]	3.2 [0.126]	1.2 [0.047]	$\phi 4.0$ [0.157]	5.6 [0.220]	10.1 [0.398]	1.4 [0.055]	2000
PCMSP-CHQ-07	$\phi 7.3$ [0.287]	4.2 [0.165]	1.2 [0.047]	$\phi 5.0$ [0.197]	7.0 [0.276]	10.4 [0.409]	1.3 [0.051]	2000
PCMSP-CHQ-08	$\phi 8.0$ [0.315]	4.3 [0.169]	1.2 [0.047]	$\phi 5.0$ [0.197]	7.0 [0.276]	10.4 [0.409]	1.3 [0.051]	1000
PCMSP-CHQ-09	$\phi 8.5$ [0.335]	4.7 [0.185]	1.2 [0.047]	$\phi 5.0$ [0.197]	7.0 [0.276]	10.4 [0.409]	1.0 [0.039]	1000
PCMSP-CHQ-11	$\phi 10.7$ [0.421]	5.3 [0.209]	1.3 [0.051]	$\phi 5.1$ [0.201]	7.0 [0.276]	10.4 [0.409]	1.3 [0.051]	1000

## Plastic J-Style Single Cable Clamps Screw Secured Mount



**RoHS COMPLIANT**

### Specifications:

**Material:** Nylon 6/6  
**UL Rating:** 94V-2  
**Color:** Natural

Fig. 1

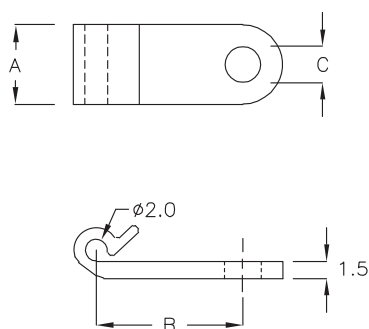
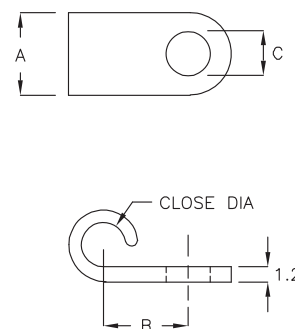


Fig. 2



Part Number	Figure	Close/Bundle Dia. "D", $\phi$ , mm [in.]	Ref. "A", mm [in.]	Ref. "B", mm [in.]	Mounting Hole Dia. "C", $\phi$ , mm [in.]	Standard Package
PCMSW-PC-1J	1	$\phi 2.0$ [0.079]	7.0 [0.276]	12.8 [0.504]	$\phi 3.2$ [0.126]	1000
PCMSW-PC-1D	2	$\phi 2.7$ [0.106]	6.6 [0.260]	6.7 [0.264]	$\phi 3.5$ [0.138]	2000
PCMSW-PC-1A		$\phi 3.4$ [0.134]	6.5 [0.256]	6.7 [0.264]	$\phi 3.4$ [0.134]	1000
PCMSW-PC-2A		$\phi 5.0$ [0.197]	8.5 [0.335]	11.4 [0.449]	$\phi 4.4$ [0.173]	
PCMSW-PC-2D		$\phi 5.7$ [0.224]	8.6 [0.339]	13.8 [0.543]	$\phi 4.4$ [0.173]	

all dimension units in millimeter (mm) unless noted otherwise