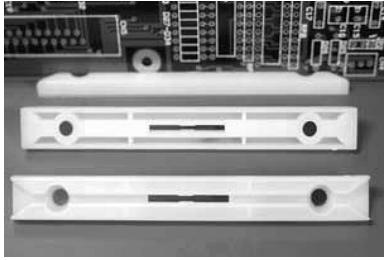


## Printed Circuit Board Guide Screw Mount

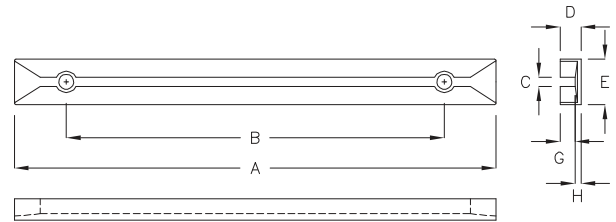


RoHS COMPLIANT

### Specifications:

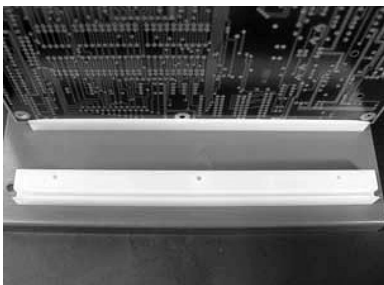
**Material:** Nylon 6/6  
**UL Rating:** 94V-2  
**Color:** Natural  
**Screw\*:** M3 x 6 mm Flat Head

\*Screw Not Included



| Part Number  | Ref. "A",<br>mm [in.] | Ref. "B",<br>mm [in.] | Slot Width "C",<br>mm [in.] | Ref. "D",<br>mm [in.] | Ref. "E",<br>mm [in.] | Ref. "H",<br>mm [in.] | Ref. "G",<br>mm [in.] | Standard Package |
|--|-----------------------|-----------------------|-----------------------------|-----------------------|-----------------------|-----------------------|-----------------------|------------------|
| Mounting Hole Dia. = 3 mm [0.118 in.]<br>Use 2 Flat Head M3 x 6 mm or Equiv. Screws for Mounting |                       |                       |                             |                       |                       |                       |                       |                  |
| CBG-CG-9   | 89.0 [3.504]          | 64.5 [2.539]          | 1.9 [0.075]                 | 4.5 [0.177]           | 9.8 [0.386]           | 1.5 [0.059]           | 3.0 [0.118]           | 100              |
| CBG-CG-9AS   | 100.0 [3.937]         | 77.4 [3.047]          | 2.2 [0.087]                 | 7.2 [0.283]           | 10.0 [0.394]          | 1.7 [0.067]           | 5.5 [0.217]           |                  |
| CBG-CG-9L  | 91.0 [3.583]          | 67.0 [2.638]          | 1.9 [0.075]                 | 8.8 [0.346]           | 9.2 [0.362]           | 1.6 [0.063]           | 7.2 [0.283]           |                  |
| CBG-CG-12  | 119.0 [4.685]         | 94.5 [3.720]          | 1.9 [0.075]                 | 4.5 [0.177]           | 9.8 [0.386]           | 1.5 [0.059]           | 3.0 [0.118]           |                  |
| CBG-CG-14  | 139.8 [5.504]         | 114.5 [4.508]         | 1.9 [0.075]                 | 4.3 [0.169]           | 9.7 [0.382]           | 1.5 [0.059]           | 2.8 [0.110]           |                  |
| CBG-CG-16  | 158.7 [6.248]         | 135.0 [5.315]         | 1.9 [0.075]                 | 4.3 [0.169]           | 9.7 [0.382]           | 1.5 [0.059]           | 2.8 [0.110]           |                  |
| CBG-CG-18  | 180.0 [7.087]         | 150.0 [5.906]         | 3.5 [0.138]                 | 9.0 [0.354]           | 12.0 [0.472]          | 3.0 [0.118]           | 6.0 [0.236]           |                  |

## Printed Circuit Board Guide Horizontal, Screw Mount

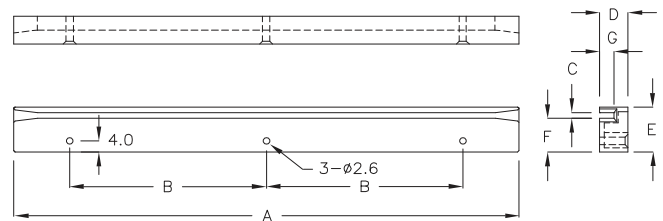


RoHS COMPLIANT

### Specifications:

**Material:** Nylon 6/6  
**UL Rating:** 94V-2  
**Color:** Natural  
**Screw:** M2.6 Flat Head

\*Screw Not Included



| Part Number   | Ref. "A",<br>mm [in.] | Ref. "B",<br>mm [in.] | Slot Width "C",<br>mm [in.] | Ref. "D",<br>mm [in.] | Ref. "E",<br>mm [in.] | Ref. "F",<br>mm [in.] | Ref. "G",<br>mm [in.] | Standard Package |
|---|-----------------------|-----------------------|-----------------------------|-----------------------|-----------------------|-----------------------|-----------------------|------------------|
| Mounting Hole Dia. = 2.6 mm [0.102 in.]<br>Use 3 Flat Head M2.6 or Equiv. Screws for Mounting |                       |                       |                             |                       |                       |                       |                       |                  |
| CBG-CF-180  | 180.5 [7.106]         | 70.0 [2.756]          | 2.0 [0.079]                 | 10.0 [0.394]          | 16.0 [0.630]          | 12.0 [0.472]          | 5.0 [0.197]           | 50               |

all dimension units in millimeter (mm) unless noted otherwise

www.vaisis.com | P: 626-795-6696 | F: 626-795-6896 | Email: sales@vaisis.com

Vaisis

### Multi-Card Circuit Board Guides

Snap-In Mount, Fits 4 Circuit Boards

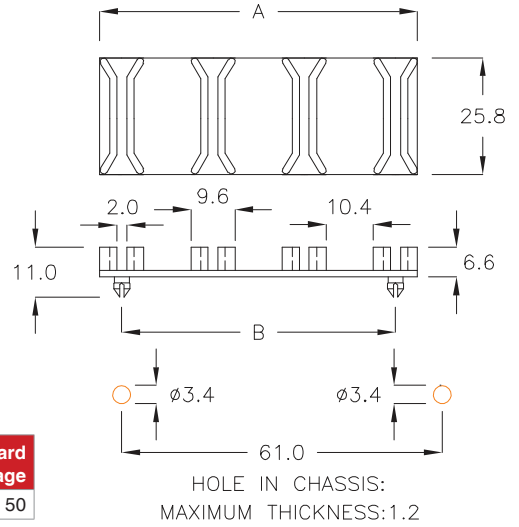


**RoHS COMPLIANT**

**Specifications:**

**Material:** Nylon 6/6  
**UL Rating:** 94V-2  
**Color:** Natural

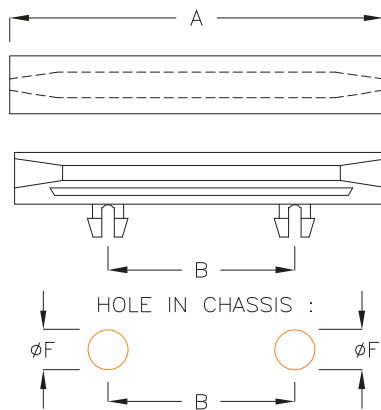
*See Drawing for Mounting Details*



| Part Number | Ref. "A",<br>mm [in.] | Ref. "B",<br>mm [in.] | Standard<br>Package |
|-------------|-----------------------|-----------------------|---------------------|
| CBG-CG-2Ax4 | 70.5 [2.776]          | 61.0 [2.402]          | 50                  |

### Dual-Side Horizontal Circuit Board Guides

Snap-In Mount



**RoHS COMPLIANT**

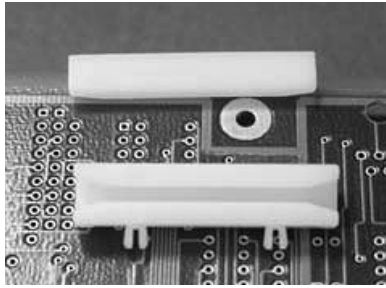
**Specifications:**

**Material:** Nylon 6/6  
**UL Rating:** 94V-2  
**Color:** Natural

*See Drawing for Mounting Details*

| Part Number | Ref. "A",<br>mm [in.] | Ref. "B",<br>mm [in.] | Slot Width<br>"C",<br>mm [in.] | Ref. "D",<br>mm [in.] | Ref. "E",<br>mm [in.] | Mounting Hole<br>Dia. "F",<br>$\phi$ , mm [in.] | Ref. "H",<br>mm [in.] | Max. Chassis<br>Thk.,<br>mm [in.] | Standard<br>Package |
|-------------|-----------------------|-----------------------|--------------------------------|-----------------------|-----------------------|---|-----------------------|-----------------------------------|---------------------|
| CBG-CG-5D   | 50.8 [2.000]          | 25.4 [1.000]          | 2.0 [0.079]                    | 7.0 [0.276]           | 7.9 [0.311]           | $\phi 4.4$ [0.173]                              | 3.2 [0.126]           | 1.6 [0.063]                       | 200                 |

## Single-Side Horizontal Circuit Board Guides Snap-In Mount

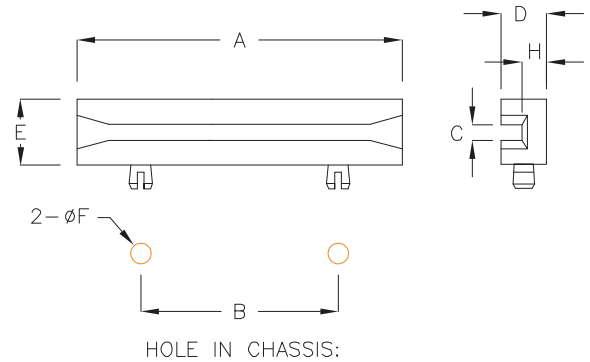


**RoHS COMPLIANT**

**Specifications:**

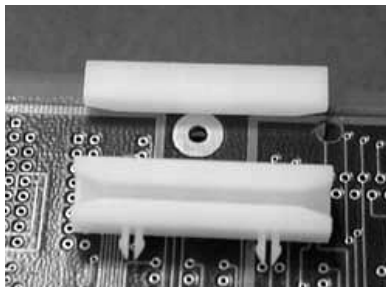
**Material:** Nylon 6/6  
**UL Rating:** 94V-2  
**Color:** Natural

*See Drawing for Mounting Details*



| Part Number | Ref. "A",<br>mm [in.] | Ref. "B",<br>mm [in.] | Slot Width<br>"C",<br>mm [in.] | Ref. "D",<br>mm [in.] | Ref. "E",<br>mm [in.] | Mounting Hole<br>Dia. "F",<br>ø, mm [in.] | Ref. "H",<br>mm [in.] | Pkg. |
|-------------|-----------------------|-----------------------|--------------------------------|-----------------------|-----------------------|---|-----------------------|------|
| CBG-CG-4A   | 38.3 [1.508]          | 20.2 [0.795]          | 2.3 [0.091]                    | 6.5 [0.256]           | 9.3 [0.366]           | ø4.0 [ø0.157]                             | 3.5 [0.138]           | 500  |

## Single-Side Horizontal Circuit Board Guides Snap-In Mount

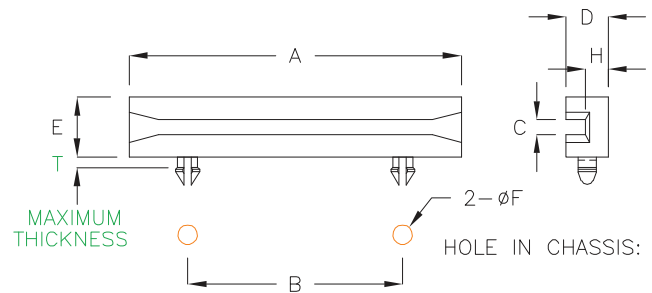


**RoHS COMPLIANT**

**Specifications:**

**Material:** Nylon 6/6  
**UL Rating:** 94V-2  
**Color:** Natural

*See Drawing for Mounting Details*



| Part Number | Ref. "A",<br>mm [in.] | Ref. "B",<br>mm [in.] | Slot Width<br>"C",<br>mm [in.] | Ref. "D",<br>mm [in.] | Ref. "E",<br>mm [in.] | Mounting Hole Dia.<br>"F",<br>ø, mm [in.] | Ref. "H",<br>mm [in.] | Max. Chassis Thk.<br>"T",<br>mm [in.] | Pkg. |
|-------------|-----------------------|-----------------------|--------------------------------|-----------------------|-----------------------|---|-----------------------|---------------------------------------|------|
| CBG-CG-4E   | 38.3 [1.508]          | 20.0 [0.787]          | 1.8 [0.071]                    | 6.5 [0.256]           | 9.3 [0.366]           | ø3.5 [0.138]                              | 3.5 [0.138]           | 1.6 [0.063]                           | 500  |
| CBG-CG-4C   | 38.3 [1.508]          | 20.2 [0.795]          | 2.3 [0.091]                    | 6.5 [0.256]           | 9.3 [0.366]           | ø3.2 [0.126]                              | 3.5 [0.138]           | 1.6 [0.063]                           | 500  |
| CBG-CG-4H   | 50.0 [1.969]          | 40.0 [1.575]          | 2.0 [0.079]                    | 6.0 [0.236]           | 7.0 [0.276]           | ø3.2 [0.126]                              | 3.0 [0.118]           | 1.6 [0.063]                           | 200  |
| CBG-CG-8C   | 80.5 [3.169]          | 60.0 [2.362]          | 2.3 [0.091]                    | 6.4 [0.252]           | 9.4 [0.370]           | ø3.2 [0.126]                              | 3.4 [0.134]           | 1.6 [0.063]                           | 100  |
| CBG-CG-8D   | 80.5 [3.169]          | 60.0 [2.362]          | 2.0 [0.079]                    | 6.0 [0.236]           | 8.0 [0.315]           | ø3.2 [0.126]                              | 3.0 [0.118]           | 1.6 [0.063]                           | 100  |
| CBG-CG-8H   | 80.5 [3.169]          | 60.0 [2.362]          | 2.0 [0.079]                    | 6.0 [0.236]           | 8.0 [0.315]           | ø3.2 [0.126]                              | 3.0 [0.118]           | 2.6 [0.102]                           | 100  |

all dimension units in millimeter (mm) unless noted otherwise

www.vaisis.com | P: 626-795-6696 | F: 626-795-6896 | Email: sales@vaisis.com

## Single-Side Horizontal Circuit Board Guides Snap-In Mount

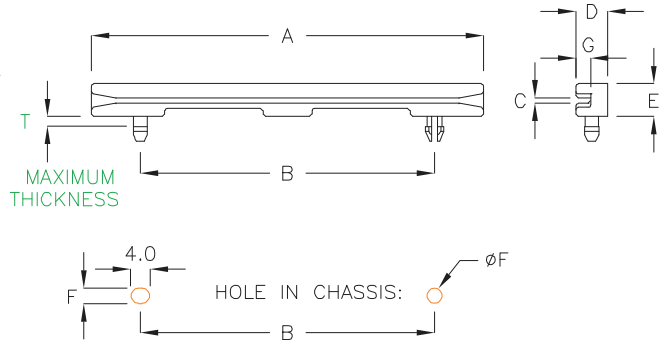


RoHS COMPLIANT

### Specifications:

**Material:** Nylon 6/6  
**UL Rating:** 94V-2  
**Color:** Black

See Drawing for Mounting Details



| Part Number | Ref. "A",<br>mm [in.] | Ref. "B",<br>mm [in.] | Slot Width<br>"C",<br>mm [in.] | Ref. "D",<br>mm [in.] | Ref. "E",<br>mm [in.] | Ref. "F",<br>mm [in.] | Ref. "G",<br>mm [in.] | Max. Chassis<br>Thk. "T",<br>mm [in.] | Standard<br>Package |
|-------------|-----------------------|-----------------------|--------------------------------|-----------------------|-----------------------|-----------------------|-----------------------|---------------------------------------|---------------------|
| CBG-CG-8K   | 80.0 [3.150]          | 60.0 [2.362]          | 1.1 [0.043]                    | 6.5 [0.256]           | 6.7 [0.264]           | 3.2 [0.126]           | 3.0 [0.118]           | 2.0 [0.079]                           | 100                 |

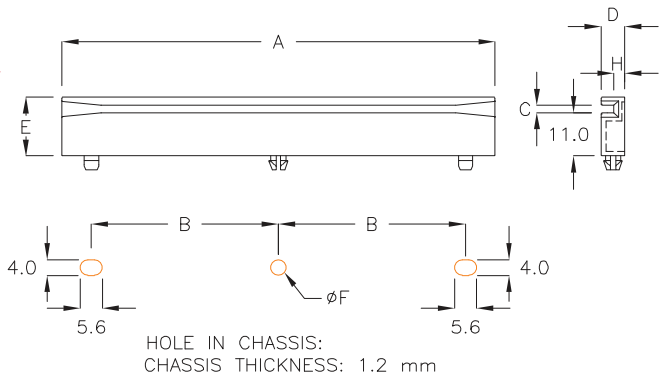


RoHS COMPLIANT

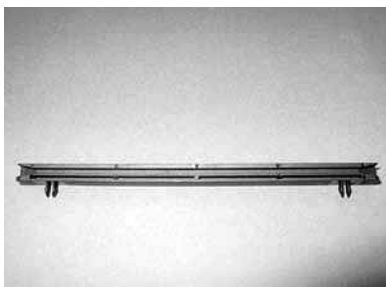
### Specifications:

**Material:** Nylon 6/6  
**UL Rating:** 94V-2  
**Color:** Black

See Drawing for Mounting Details



| Part Number | Ref. "A",<br>mm [in.] | Ref. "B",<br>mm [in.] | Slot Width<br>"C",<br>mm [in.] | Ref. "D",<br>mm [in.] | Ref. "E",<br>mm [in.] | Ref. "F",<br>ø, mm [in.] | Standard<br>Package |
|-------------|-----------------------|-----------------------|--------------------------------|-----------------------|-----------------------|--------------------------|---------------------|
| CBG-CG-11K  | 110.0 [4.331]         | 47.5 [1.870]          | 1.8 [0.071]                    | 6.0 [0.236]           | 14.9 [0.587]          | ø4.0 [0.157]             | 100                 |

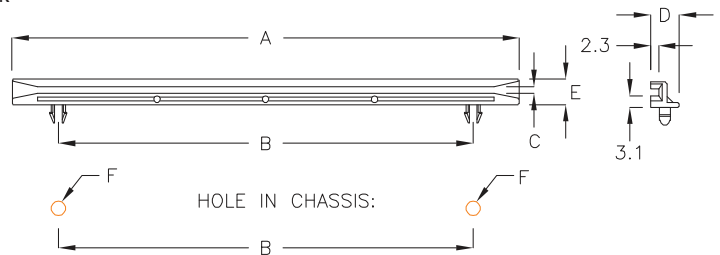


RoHS COMPLIANT

### Specifications:

**Material:** Nylon 6/6  
**UL Rating:** 94V-2  
**Color:** Black

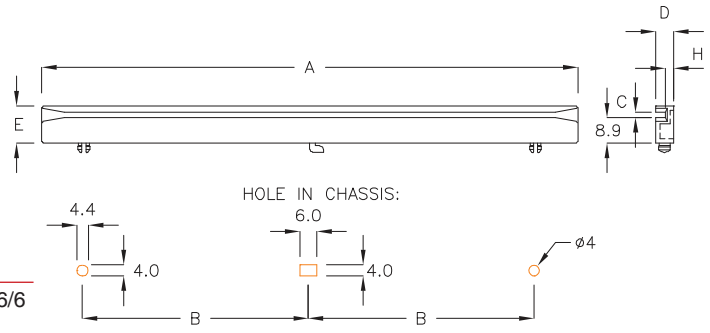
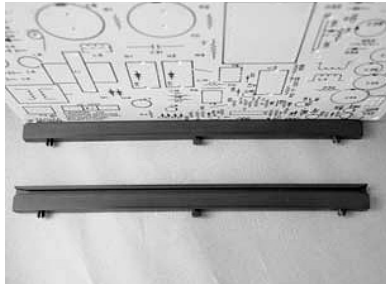
See Drawing for Mounting Details



| Part Number | Ref. "A",<br>mm [in.] | Ref. "B",<br>mm [in.] | Slot Width<br>"C",<br>mm [in.] | Ref. "D",<br>mm [in.] | Ref. "E",<br>mm [in.] | Mounting<br>Hole Dia. "F",<br>ø, mm [in.] | Max.<br>Chassis Thk.,<br>mm [in.] | Standard<br>Package |
|-------------|-----------------------|-----------------------|--------------------------------|-----------------------|-----------------------|---|-----------------------------------|---------------------|
| CBG-CG-14H  | 140.0 [5.512]         | 114.5 [4.508]         | 1.9 [0.075]                    | 8.0 [0.315]           | 7.0 [0.276]           | ø4.4 [0.173]                              | 1.5 [0.059]                       | 100                 |

all dimension units in millimeter (mm) unless noted otherwise

### Single-Side Horizontal Circuit Board Guides Snap-In Mount



RoHS COMPLIANT

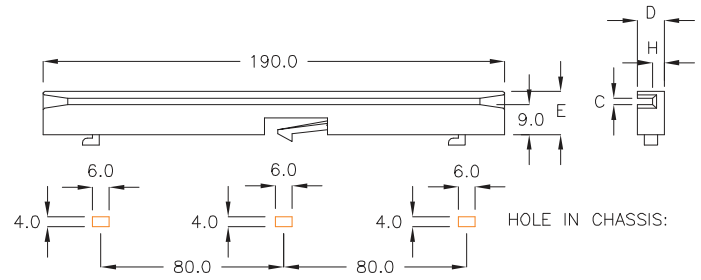
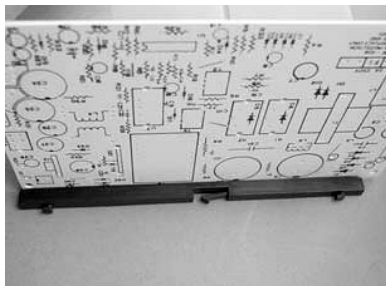
**Specifications:**

**Material:** Nylon 6/6  
**UL Rating:** 94V-2  
**Color:** Black

See Drawing for Mounting Details

| Part Number | Ref. "A",<br>mm [in.] | Ref. "B",<br>mm [in.] | Slot Width "C",<br>mm [in.] | Ref. "D",<br>mm [in.] | Ref. "E",<br>mm [in.] | Ref. "H",<br>mm [in.] | Max. Chassis Thk.,<br>mm [in.] | Standard Package |
|-------------|-----------------------|-----------------------|-----------------------------|-----------------------|-----------------------|-----------------------|--------------------------------|------------------|
| CBG-CG-19C  | 190.0 [7.480]         | 80.0 [3.150]          | 2.0 [0.079]                 | 6.4 [0.252]           | 13.1 [0.516]          | 3.1 [0.122]           | 1.1 [0.043]                    | 100              |

### Single-Side Horizontal Circuit Board Guides Releasable Snap-In Mount



RoHS COMPLIANT

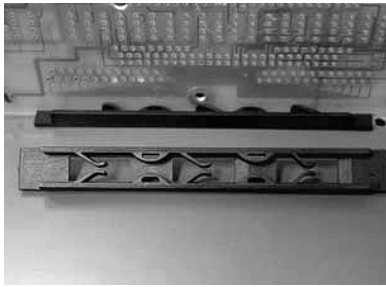
**Specifications:**

**Material:** Nylon 6/6  
**UL Rating:** 94V-2  
**Color:** Black

See Drawing for Mounting Details

| Part Number | Ref. "A",<br>mm [in.] | Slot Width "C",<br>mm [in.] | Ref. "D",<br>mm [in.] | Ref. "E",<br>mm [in.] | Ref. "H",<br>mm [in.] | Max. Chassis Thk.,<br>mm [in.] | Standard Package |
|-------------|-----------------------|-----------------------------|-----------------------|-----------------------|-----------------------|--------------------------------|------------------|
| CBG-CG-16C  | 190.0 [7.480]         | 2.0 [0.079]                 | 6.4 [0.252]           | 13.1 [0.516]          | 3.2 [0.126]           | 1.0 [0.039]                    | 100              |

## Tension Circuit Board Card Guide Snap-In Mount

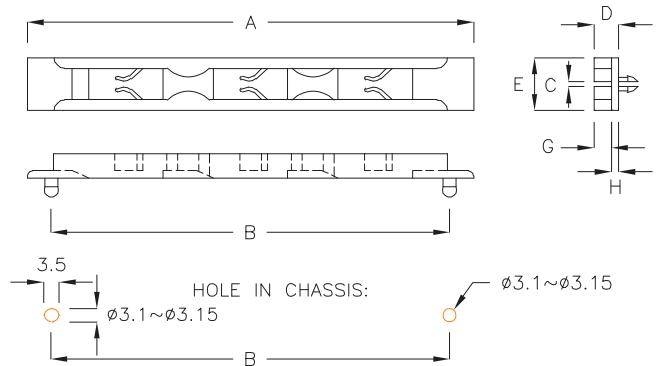


RoHS COMPLIANT

### Specifications:

**Material:** Nylon 6/6  
**UL Rating:** 94V-2  
**Color:** Black

See Drawing for Mounting Details



| Part Number | Ref. "A",<br>mm [in.] | Ref. "B",<br>mm [in.] | Slot Width "C",<br>mm [in.] | Ref. "D",<br>mm [in.] | Ref. "E",<br>mm [in.] | Ref. "G",<br>mm [in.] | Ref. "H",<br>mm [in.] | Chassis Max.<br>mm [in.] | Standard<br>Package |
|-------------|-----------------------|-----------------------|-----------------------------|-----------------------|-----------------------|-----------------------|-----------------------|--------------------------|---------------------|
| CBG-CG-10B  | 102.8 [4.047]         | 91.9 [3.618]          | 1.1-2.2 [0.043-0.087]       | 5.6 [0.220]           | 11.9 [0.469]          | 3.9 [0.154]           | 1.7 [0.067]           | 2.3 [0.091]              | 500                 |

## Printed Circuit Board Guides Snap-In Mount

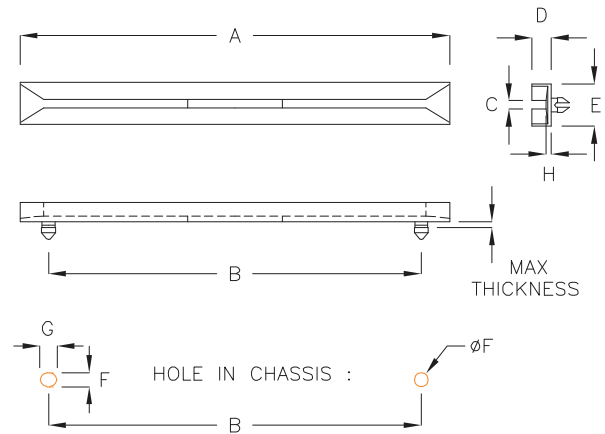


RoHS COMPLIANT

### Specifications:

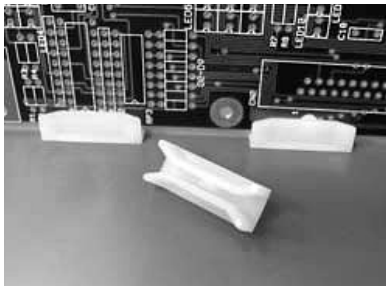
**Material:** Nylon 6/6  
**UL Rating:** 94V-2  
**Color:** Natural

See Drawing for Mounting Details



| Part Number | Ref. "A",<br>mm [in.] | Ref. "B",<br>mm [in.] | Slot Width<br>"C",<br>mm [in.] | Ref. "D",<br>mm [in.] | Ref. "E",<br>mm [in.] | Ref. "F",<br>mm [in.] | Ref. "G",<br>mm [in.] | Ref. "H",<br>mm [in.] | Chassis Thk.,<br>mm [in.] | Max.<br>mm [in.] | Pkg. |
|-------------|-----------------------|-----------------------|--------------------------------|-----------------------|-----------------------|-----------------------|-----------------------|-----------------------|---------------------------|------------------|------|
| CBG-CG-3A   | 38.0 [1.496]          | 25.4 [1.000]          | 1.9 [0.075]                    | 4.6 [0.181]           | 9.6 [0.378]           | 3.4 [0.134]           | 4.0 [0.157]           | 1.5 [0.059]           | 1.2 [0.047]               |                  | 500  |
| CBG-CG-5A   | 50.8 [2.000]          | 38.0 [1.496]          | 2.3 [0.091]                    | 4.6 [0.181]           | 9.6 [0.378]           | 3.4 [0.134]           | 4.0 [0.157]           | 1.5 [0.059]           | 1.1 [0.043]               |                  | 200  |
| CBG-CG-7A   | 76.6 [3.016]          | 63.5 [2.500]          | 2.2 [0.087]                    | 4.6 [0.181]           | 10.0 [0.394]          | 3.4 [0.134]           | 4.0 [0.157]           | 1.4 [0.055]           | 1.2 [0.047]               |                  | 100  |
| CBG-CG-7C   | 76.6 [3.016]          | 63.5 [2.500]          | 2.1 [0.083]                    | 4.1 [0.161]           | 10.0 [0.394]          | 3.4 [0.134]           | 4.0 [0.157]           | 1.1 [0.043]           | 1.2 [0.047]               |                  |      |
| CBG-CG-9A   | 89.7 [3.531]          | 76.7 [3.020]          | 1.9 [0.075]                    | 4.5 [0.177]           | 9.7 [0.382]           | 3.4 [0.134]           | 4.0 [0.157]           | 1.5 [0.059]           | 1.2 [0.047]               |                  |      |
| CBG-CG-9F   | 89.2 [3.512]          | 76.7 [3.020]          | 2.3 [0.091]                    | 4.4 [0.173]           | 6.4 [0.252]           | 3.4 [0.134]           | 4.0 [0.157]           | 1.1 [0.043]           | 1.2 [0.047]               |                  |      |
| CBG-CG-10A  | 102.1 [4.020]         | 89.5 [3.524]          | 2.2 [0.087]                    | 4.6 [0.181]           | 6.3 [0.248]           | 3.4 [0.134]           | 4.0 [0.157]           | 1.1 [0.043]           | 1.2 [0.047]               |                  |      |
| CBG-CG-10M  | 100.0 [3.937]         | 70.0 [2.756]          | 2.0 [0.079]                    | 4.3 [0.169]           | 7.5 [0.295]           | 4.8 [0.189]           | 6.0 [0.236]           | 2.3 [0.091]           | 1.1 [0.043]               |                  |      |
| CBG-CG-10P  | 100.0 [3.937]         | 70.0 [2.756]          | 2.0 [0.079]                    | 4.3 [0.169]           | 7.5 [0.295]           | 4.8 [0.189]           | 6.4 [0.252]           | 1.5 [0.059]           | 1.2 [0.047]               |                  |      |
| CBG-CG-12D  | 114.3 [4.500]         | 88.9 [3.500]          | 1.9 [0.075]                    | 6.4 [0.252]           | 6.4 [0.252]           | 4.8 [0.189]           | 5.5 [0.217]           | 1.3 [0.051]           | 1.2 [0.047]               |                  |      |
| CBG-CG-13A  | 127.0 [5.000]         | 101.6 [4.000]         | 2.3 [0.091]                    | 4.6 [0.181]           | 6.4 [0.252]           | 3.4 [0.134]           | 4.0 [0.157]           | 1.1 [0.043]           | 1.5 [0.059]               |                  |      |
| CBG-CG-13C  | 110.0 [4.331]         | 101.6 [4.000]         | 2.3 [0.091]                    | 4.6 [0.181]           | 6.4 [0.252]           | 3.4 [0.134]           | 4.0 [0.157]           | 1.1 [0.043]           | 1.2 [0.047]               |                  |      |
| CBG-CG-14A  | 136.0 [5.354]         | 114.5 [4.508]         | 2.2 [0.087]                    | 4.6 [0.181]           | 6.3 [0.248]           | 3.4 [0.134]           | 4.0 [0.157]           | 1.1 [0.043]           | 1.5 [0.059]               |                  |      |
| CBG-CG-15C  | 153.8 [6.055]         | 141.6 [5.575]         | 2.1 [0.083]                    | 4.8 [0.189]           | 6.5 [0.256]           | 3.4 [0.134]           | 4.0 [0.157]           | 1.4 [0.055]           | 1.2 [0.047]               |                  |      |
| CBG-CG-18A  | 181.1 [7.130]         | 161.3 [6.350]         | 2.0 [0.079]                    | 4.6 [0.181]           | 6.5 [0.256]           | 3.4 [0.134]           | 4.6 [0.181]           | 1.2 [0.047]           | 1.2 [0.047]               |                  |      |
| CBG-CG-19A  | 191.1 [7.524]         | 177.0 [6.969]         | 2.0 [0.079]                    | 5.5 [0.217]           | 6.4 [0.252]           | 3.4 [0.134]           | 4.0 [0.157]           | 1.8 [0.071]           | 1.2 [0.047]               |                  |      |
| CBG-CG-21A  | 217.8 [8.575]         | 205.0 [8.071]         | 2.0 [0.079]                    | 4.6 [0.181]           | 6.6 [0.260]           | 3.4 [0.134]           | 4.0 [0.157]           | 1.2 [0.047]           | 1.0 [0.039]               |                  |      |
| CBG-CG-21B  | 218.7 [8.610]         | 205.0 [8.071]         | 2.2 [0.087]                    | 7.7 [0.303]           | 6.6 [0.260]           | 3.4 [0.134]           | 4.0 [0.157]           | 1.3 [0.051]           | 1.2 [0.047]               |                  |      |

## Printed Circuit Board Guides Snap-In Mount

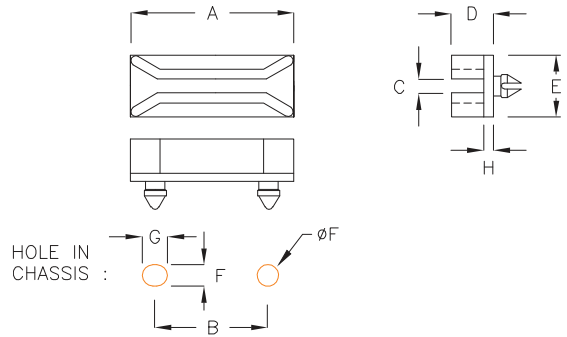


RoHS COMPLIANT

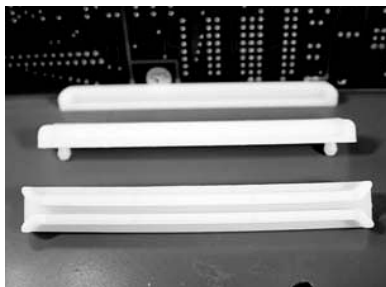
### Specifications:

**Material:** Nylon  
6/6  
**UL Rating:** 94V-2  
**Color:** Natural

See Drawing for Mounting Details



| Part Number | Ref. "A",<br>mm [in.] | Ref. "B",<br>mm [in.] | Slot Width "C",<br>mm [in.] | Ref. "D",<br>mm [in.] | Ref. "E",<br>mm [in.] | Ref. "F",<br>mm [in.] | Ref. "G",<br>mm [in.] | Ref. "H",<br>mm [in.] | Max.<br>Chassis Thk.,<br>mm [in.] | Pkg. |
|-------------|-----------------------|-----------------------|-----------------------------|-----------------------|-----------------------|-----------------------|-----------------------|-----------------------|-----------------------------------|------|
| CBG-CG-2A   | 26.0 [1.024]          | 18.0 [0.709]          | 1.9 [0.075]                 | 6.8 [0.268]           | 9.7 [0.382]           | 3.4 [0.134]           | 4.0 [0.157]           | 1.3 [0.051]           | 1.2 [0.047]                       | 500  |

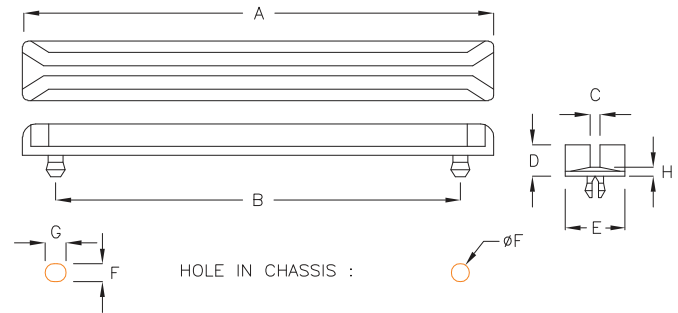


RoHS COMPLIANT

### Specifications:

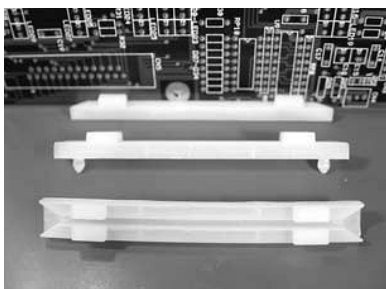
**Material:** Nylon  
6/6  
**UL Rating:** 94V-2  
**Color:** Natural

See Drawing for Mounting Details



| Part Number | Ref. "A",<br>mm [in.] | Ref. "B",<br>mm [in.] | Slot Width "C",<br>mm [in.] | Ref. "D",<br>mm [in.] | Ref. "E",<br>mm [in.] | Ref. "F",<br>mm [in.] | Ref. "G",<br>mm [in.] | Ref. "H",<br>mm [in.] | Max.<br>Chassis Thk.,<br>mm [in.] | Pkg. |
|-------------|-----------------------|-----------------------|-----------------------------|-----------------------|-----------------------|-----------------------|-----------------------|-----------------------|-----------------------------------|------|
| CBG-CG-9B   | 89.2 [3.5312]         | 76.9 [3.028]          | 1.9 [0.075]                 | 6.0 [0.236]           | 11.3 [0.445]          | 3.4 [0.134]           | 4.0 [0.157]           | 1.6 [0.063]           | 1.2 [0.047]                       | 100  |

## High Retention Circuit Board Guides Deep Channel, Snap-In Mount

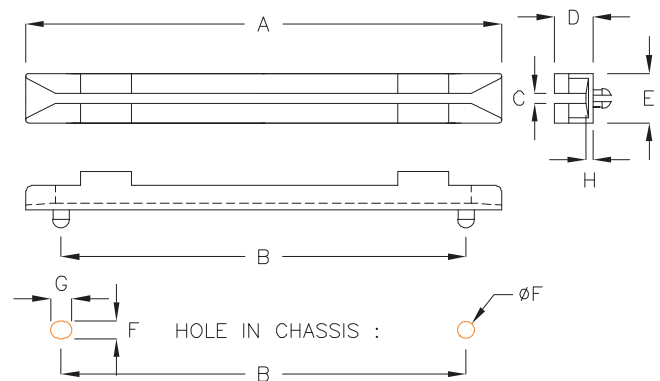


RoHS COMPLIANT

### Specifications:

**Material:** Nylon  
6/6  
**UL Rating:** 94V-2  
**Color:** Natural

See Drawing for Mounting Details



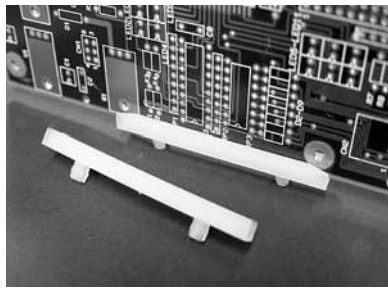
| Part Number | Ref. "A",<br>mm [in.] | Ref. "B",<br>mm [in.] | Slot Width "C",<br>mm [in.] | Ref. "D",<br>mm [in.] | Ref. "E",<br>mm [in.] | Ref. "F",<br>mm [in.] | Ref. "G",<br>mm [in.] | Ref. "H",<br>mm [in.] | Max.<br>Chassis Thk.,<br>mm [in.] | Pkg. |
|-------------|-----------------------|-----------------------|-----------------------------|-----------------------|-----------------------|-----------------------|-----------------------|-----------------------|-----------------------------------|------|
| CBG-CG-9AW  | 89.7 [3.531]          | 76.7 [3.020]          | 1.9 [0.075]                 | 11.6 [0.457]          | 9.7 [0.382]           | 3.4 [0.134]           | 4.0 [0.157]           | 1.3 [0.051]           | 1.2 [0.047]                       | 100  |
| CBG-CG-9D   | 89.7 [3.531]          | 76.8 [3.024]          | 1.9 [0.075]                 | 7.1 [0.280]           | 9.5 [0.374]           | 3.4 [0.134]           | 4.0 [0.157]           | 1.4 [0.055]           | 1.2 [0.047]                       |      |

all dimension units in millimeter (mm) unless noted otherwise

www.vaisis.com | P: 626-795-6696 | F: 626-795-6896 | Email: sales@vaisis.com

Vaisis

## Printed Circuit Board Guides Snap-In Mount

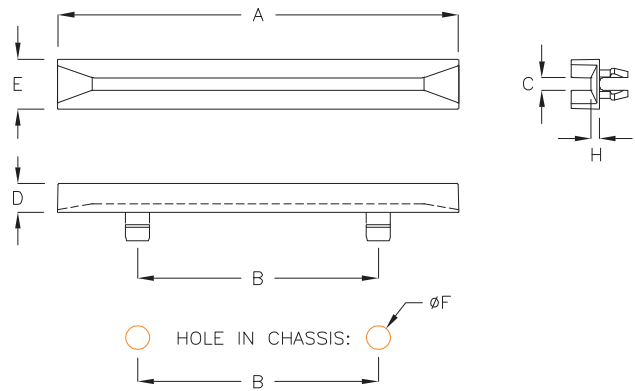


**RoHS COMPLIANT**

**Specifications:**

**Material:** Nylon 6/6  
**UL Rating:** 94V-2  
**Color:** Natural

*See Drawing for Mounting Details*



| Part Number      | Ref. "A",<br>mm [in.] | Ref. "B",<br>mm [in.] | Slot Width "C",<br>mm [in.] | Ref. "D",<br>mm [in.] | Ref. "E",<br>mm [in.] | Mounting<br>Hole Dia. "F",<br>ø, mm [in.] | Ref. "H",<br>mm [in.] | Max.<br>Chassis Thk.,<br>mm [in.] | Pkg. |
|------------------|-----------------------|-----------------------|-----------------------------|-----------------------|-----------------------|---|-----------------------|-----------------------------------|------|
| <b>CBG-CG-6H</b> | 63.5 [2.500]          | 38.1 [1.500]          | 1.9 [0.075]                 | 4.5 [0.177]           | 7.9 [0.311]           | ø4.6 [0.181]                              | 1.3 [0.051]           | 1.6 [0.063]                       | 200  |

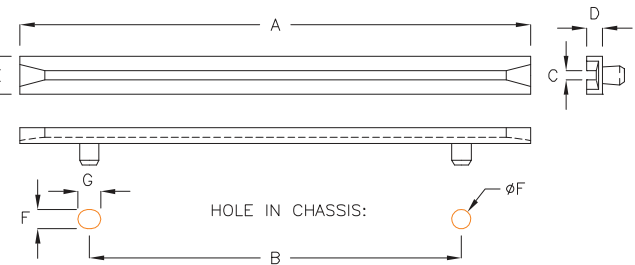


**RoHS COMPLIANT**

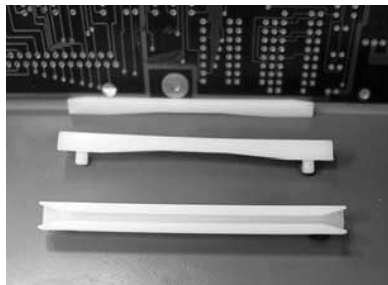
**Specifications:**

**Material:** Nylon 6/6  
**UL Rating:** 94V-2  
**Color:** Natural

*See Drawing for Mounting Details*



| Part Number       | Ref. "A",<br>mm [in.] | Ref. "B",<br>mm [in.] | Slot Width "C",<br>mm [in.] | Ref. "D",<br>mm [in.] | Ref. "E",<br>mm [in.] | Ref. "F",<br>mm [in.] | Ref. "G",<br>mm [in.] | Max.<br>Chassis Thk.,<br>mm [in.] | Standard<br>Package |
|-------------------|-----------------------|-----------------------|-----------------------------|-----------------------|-----------------------|-----------------------|-----------------------|-----------------------------------|---------------------|
| <b>CBG-CG-10N</b> | 101.6 [4.000]         | 88.9 [3.500]          | 1.9 [0.075]                 | 4.4 [0.173]           | 6.4 [0.252]           | 3.2 [0.126]           | 4.0 [0.157]           | 1.1 [0.043]                       | 100                 |
| <b>CBG-CG-16N</b> | 164.1 [6.461]         | 152.4 [6.000]         | 2.0 [0.079]                 | 4.4 [0.173]           | 6.5 [0.256]           | 3.2 [0.126]           | 3.9 [0.154]           | 1.1 [0.043]                       |                     |

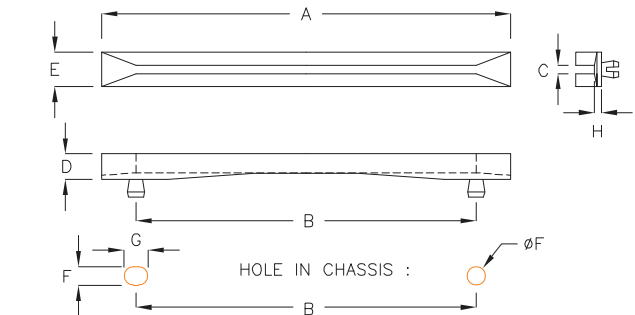


**RoHS COMPLIANT**

**Specifications:**

**Material:** Nylon 6/6  
**UL Rating:** 94V-2  
**Color:** Natural

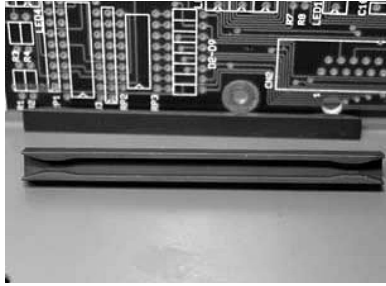
*See Drawing for Mounting Details*



| Part Number      | Ref. "A",<br>mm [in.] | Ref. "B",<br>mm [in.] | Slot Width "C",<br>mm [in.] | Ref. "D",<br>mm [in.] | Ref. "E",<br>mm [in.] | Ref. "F",<br>mm [in.] | Ref. "G",<br>mm [in.] | Ref. "H",<br>mm [in.] | Max.<br>Chassis Thk.,<br>mm [in.] | Pkg. |
|------------------|-----------------------|-----------------------|-----------------------------|-----------------------|-----------------------|-----------------------|-----------------------|-----------------------|-----------------------------------|------|
| <b>CBG-CG-7B</b> | 76.2 [3.000]          | 63.5 [2.500]          | 1.9 [0.075]                 | 4.8 [0.189]           | 6.4 [0.252]           | 3.2 [0.126]           | 4.1 [0.161]           | 0.9 [0.035]           | 1.3 [0.051]                       | 100  |

all dimension units in millimeter (mm) unless noted otherwise

## Printed Circuit Board Guides Snap-In Mount

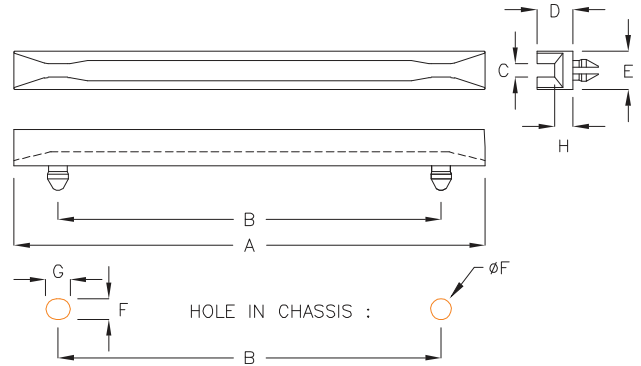


RoHS COMPLIANT

### Specifications:

**Material:** Nylon  
6/6  
**UL Rating:** 94V-2  
**Color:** Black

See Drawing for Mounting Details



| Part Number | Ref. "A",<br>mm [in.] | Ref. "B",<br>mm [in.] | Slot Width "C",<br>mm [in.] | Ref. "D",<br>mm [in.] | Ref. "E",<br>mm [in.] | Ref. "F",<br>mm [in.] | Ref. "G",<br>mm [in.] | Ref. "H",<br>mm [in.] | Max.<br>Chassis Thk.,<br>mm [in.] | Pkg. |
|-------------|-----------------------|-----------------------|-----------------------------|-----------------------|-----------------------|-----------------------|-----------------------|-----------------------|-----------------------------------|------|
| CBG-CG-6A   | 76.8 [3.024]          | 62.5 [2.461]          | 2.2 [0.087]                 | 5.9 [0.232]           | 6.3 [0.248]           | 3.4 [0.134]           | 4.0 [0.157]           | 3.0 [0.118]           | 1.0 [0.039]                       | 200  |

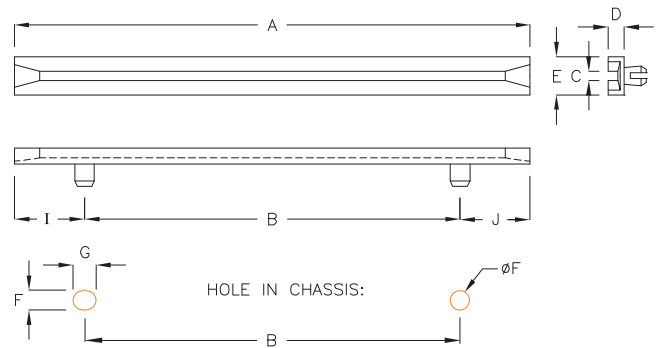


RoHS COMPLIANT

### Specifications:

**Material:** Nylon  
6/6  
**UL Rating:** 94V-2  
**Color:** Black

See Drawing for Mounting Details



| Part Number | Ref. "A",<br>mm [in.] | Ref. "B",<br>mm [in.] | Slot Width<br>"C",<br>mm [in.] | Ref. "D",<br>mm [in.] | Ref. "E",<br>mm [in.] | Ref. "F",<br>mm [in.] | Ref. "G",<br>mm [in.] | Ref. "I",<br>mm [in.] | Ref. "J",<br>mm [in.] | Chassis Thk.,<br>mm [in.] |
|-------------|-----------------------|-----------------------|--------------------------------|-----------------------|-----------------------|-----------------------|-----------------------|-----------------------|-----------------------|---------------------------|
| CBG-CG-5C   | 63.5 [2.500]          | 38.1 [1.500]          | 2.3 [0.091]                    | 6.4 [0.252]           | 6.4 [0.252]           | 4.5 [0.177]           | 5.1 [0.201]           | 12.7 [0.500]          | 12.7 [0.500]          | 1.2-1.6 [0.047-0.063]     |
| CBG-CG-6F   | 63.5 [2.500]          | 38.1 [1.500]          | 1.9 [0.075]                    | 4.5 [0.177]           | 7.9 [0.311]           | 4.6 [0.181]           | 5.0 [0.197]           | 12.7 [0.500]          | 12.7 [0.500]          | 1.2-1.6 [0.047-0.063]     |
| CBG-CG-8L   | 88.9 [3.500]          | 63.5 [2.500]          | 1.9 [0.075]                    | 4.5 [0.177]           | 7.9 [0.311]           | 4.6 [0.181]           | 5.0 [0.197]           | 12.7 [0.500]          | 12.7 [0.500]          | 1.4-1.6 [0.055-0.063]     |
| CBG-CG-9AL  | 89.1 [3.508]          | 77.4 [3.047]          | 2.2 [0.087]                    | 7.1 [0.280]           | 10.0 [0.394]          | 3.4 [0.134]           | 4.0 [0.157]           | 5.1 [0.201]           | 5.1 [0.201]           | 1.1 [0.043]               |

### Package Information:

| Part Number | Standard Package |
|-------------|------------------|
| CBG-CG-5C   | 200              |
| CBG-CG-6F   |                  |
| CBG-CG-8L   | 100              |
| CBG-CG-9AL  |                  |

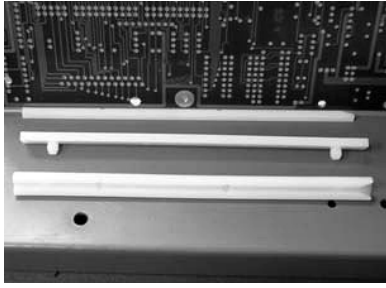
all dimension units in millimeter (mm) unless noted otherwise

www.vaisis.com | P: 626-795-6696 | F: 626-795-6896 | Email: sales@vaisis.com

Vaisis

## Low Profile Circuit Board Guides

### One-Side Funnel, Snap-In Mount

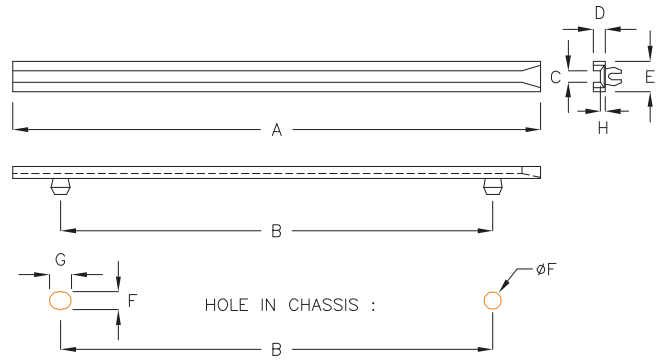


RoHS COMPLIANT

**Specifications:**

**Material:** Nylon  
6/6  
**UL Rating:** 94V-2  
**Color:** Natural

See Drawing for Mounting Details



| Part Number | Ref. "A",<br>mm [in.] | Ref. "B",<br>mm [in.] | Slot Width "C",<br>mm [in.] | Ref. "D",<br>mm [in.] | Ref. "E",<br>mm [in.] | Ref. "F",<br>mm [in.] | Ref. "G",<br>mm [in.] | Ref. "H",<br>mm [in.] | Max. Chassis Thk.,<br>mm [in.] | Pkg. |
|-------------|-----------------------|-----------------------|-----------------------------|-----------------------|-----------------------|-----------------------|-----------------------|-----------------------|--------------------------------|------|
| CBG-CG-14   | 140.2 [5.520]         | 114.8 [4.520]         | 2.0 [0.079]                 | 3.2 [0.126]           | 8.0 [0.315]           | 4.8 [0.189]           | 5.9 [0.232]           | 1.3 [0.051]           | 1.2 [0.047]                    | 100  |
| CBG-CG-14D  | 140.2 [5.520]         | 114.8 [4.520]         | 3.0 [0.118]                 | 3.2 [0.126]           | 8.0 [0.315]           | 4.8 [0.189]           | 5.9 [0.232]           | 1.3 [0.051]           | 1.7 [0.067]                    |      |

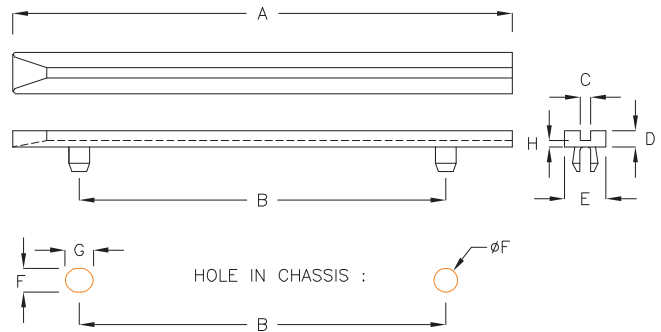


RoHS COMPLIANT

**Specifications:**

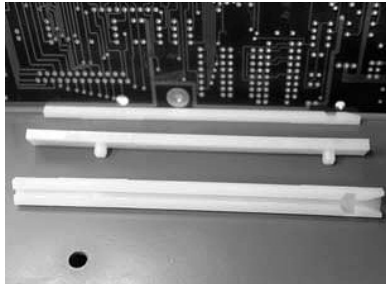
**Material:** Nylon  
6/6  
**UL Rating:** 94V-2  
**Color:** Natural

See Drawing for Mounting Details



| Part Number | Ref. "A",<br>mm [in.] | Ref. "B",<br>mm [in.] | Slot Width "C",<br>mm [in.] | Ref. "D",<br>mm [in.] | Ref. "E",<br>mm [in.] | Ref. "F",<br>mm [in.] | Ref. "G",<br>mm [in.] | Ref. "H",<br>mm [in.] | Max. Chassis Thk.,<br>mm [in.] | Pkg. |
|-------------|-----------------------|-----------------------|-----------------------------|-----------------------|-----------------------|-----------------------|-----------------------|-----------------------|--------------------------------|------|
| CBG-CG-20A  | 203.2 [8.000]         | 177.8 [7.000]         | 2.0 [0.079]                 | 3.2 [0.126]           | 7.9 [0.311]           | 4.6 [0.181]           | 5.4 [0.213]           | 1.3 [0.051]           | 1.7 [0.067]                    | 100  |

## Printed Circuit Board Guides Snap-In Mount

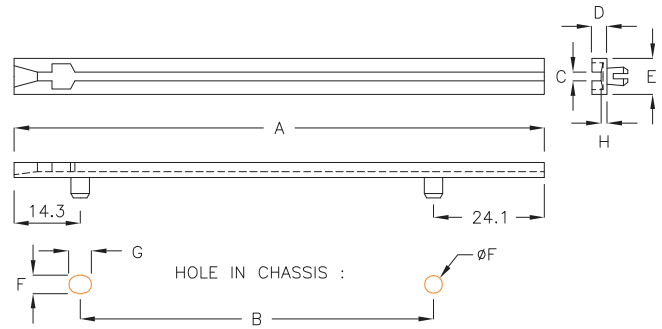


RoHS COMPLIANT

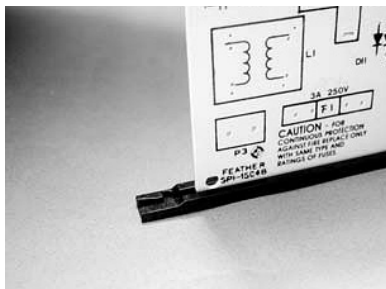
### Specifications:

**Material:** Nylon  
6/6  
**UL Rating:** 94V-2  
**Color:** Natural

See Drawing for Mounting Details



| Part Number | Ref. "A",<br>mm [in.] | Ref. "B",<br>mm [in.] | Slot Width<br>"C",<br>mm [in.] | Ref. "D",<br>mm [in.] | Ref. "E",<br>mm [in.] | Ref. "F",<br>mm [in.] | Ref. "G",<br>mm [in.] | Ref. "H",<br>mm [in.] | Max.<br>Chassis Thk.,<br>mm [in.] | Pkg. |
|-------------|-----------------------|-----------------------|--------------------------------|-----------------------|-----------------------|-----------------------|-----------------------|-----------------------|-----------------------------------|------|
| CBG-CG-11A  | 115.5 [4.547]         | 77.1 [3.035]          | 2.0 [0.079]                    | 3.3 [0.130]           | 7.9 [0.311]           | 4.0 [0.157]           | 4.8 [0.189]           | 1.3 [0.051]           | 1.2 [0.047]                       | 100  |

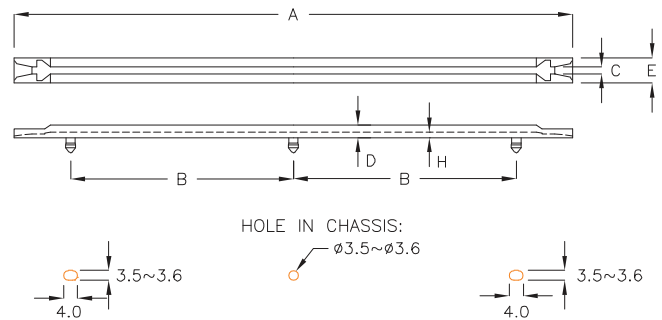


RoHS COMPLIANT

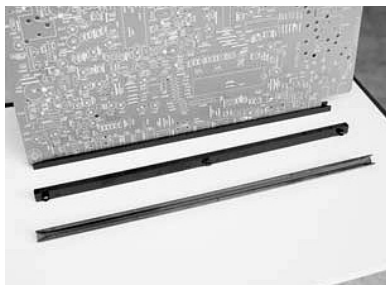
### Specifications:

**Material:** Nylon  
6/6  
**UL Rating:** 94V-2  
**Color:** Black

See Drawing for Mounting Details



| Part Number | Ref. "A",<br>mm [in.] | Ref. "B",<br>mm [in.] | Slot Width "C",<br>mm [in.] | Ref. "D",<br>mm [in.] | Ref. "E",<br>mm [in.] | Ref. "H",<br>mm [in.] | Max. Chassis Thk.,<br>mm [in.] | Standard<br>Package |
|-------------|-----------------------|-----------------------|-----------------------------|-----------------------|-----------------------|-----------------------|--------------------------------|---------------------|
| CBG-CG-28A  | 280.0 [11.024]        | 119.8 [4.717]         | 2.3 [0.091]                 | 4.5 [0.177]           | 9.0 [0.354]           | 2.0 [0.079]           | 1.7 [0.067]                    | 100                 |

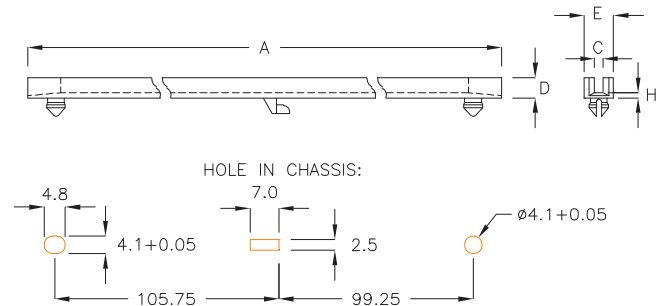


RoHS COMPLIANT

### Specifications:

**Material:** Nylon  
6/6  
**UL Rating:** 94V-2  
**Color:** Black

See Drawing for Mounting Details



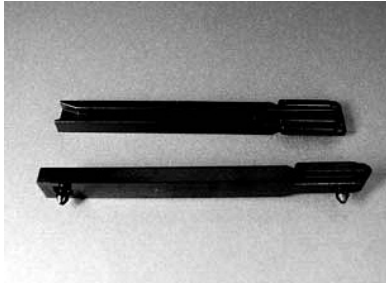
| Part Number | Ref. "A",<br>mm [in.] | Slot Width "C",<br>mm [in.] | Ref. "D",<br>mm [in.] | Ref. "E",<br>mm [in.] | Ref. "H",<br>mm [in.] | Max. Chassis Thk.,<br>mm [in.] | Standard<br>Package |
|-------------|-----------------------|-----------------------------|-----------------------|-----------------------|-----------------------|--------------------------------|---------------------|
| CBG-CG-21C  | 218.0 [8.583]         | 1.9 [0.075]                 | 4.7 [0.185]           | 6.6 [0.260]           | 1.3 [0.051]           | 1.5 [0.059]                    | 100                 |

all dimension units in millimeter (mm) unless noted otherwise

www.vaisis.com | P: 626-795-6696 | F: 626-795-6896 | Email: sales@vaisis.com

Vaisis

## Printed Circuit Board Guides Snap-In Mount

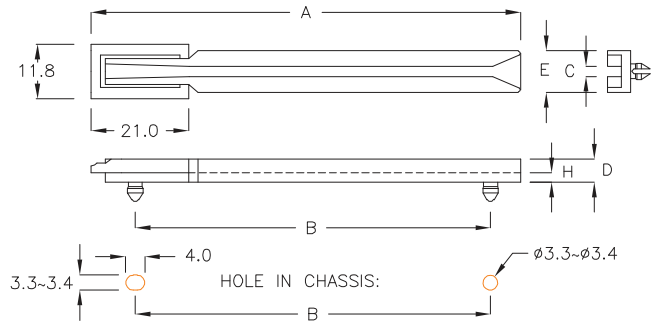


RoHS COMPLIANT

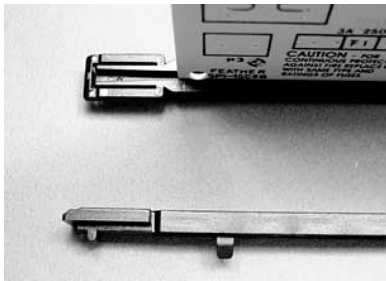
### Specifications:

**Material:** Nylon  
6/6  
**UL Rating:** 94V-2  
**Color:** Black

See Drawing for Mounting Details



| Part Number | Ref. "A",<br>mm [in.] | Ref. "B",<br>mm [in.] | Slot Width "C",<br>mm [in.] | Ref. "D",<br>mm [in.] | Ref. "E",<br>mm [in.] | Ref. "H",<br>mm [in.] | Max.<br>Chassis Thk.,<br>mm [in.] | Standard<br>Package |
|-------------|-----------------------|-----------------------|-----------------------------|-----------------------|-----------------------|-----------------------|-----------------------------------|---------------------|
| CBG-CG-09H  | 92.7 [3.650]          | 76.7 [3.020]          | 2.2 [0.087]                 | 5.0 [0.197]           | 9.0 [0.354]           | 2.0 [0.079]           | 1.2 [0.047]                       | 100                 |
| CBG-CG-09J  | 99.5 [3.917]          | 76.7 [3.020]          | 2.2 [0.087]                 | 5.0 [0.197]           | 9.0 [0.354]           | 2.0 [0.079]           | 1.2 [0.047]                       |                     |
| CBG-CG-09C  | 72.6 [2.858]          | 50.0 [1.969]          | 1.9 [0.075]                 | 5.0 [0.197]           | 9.0 [0.354]           | 2.0 [0.079]           | 1.0 [0.039]                       |                     |

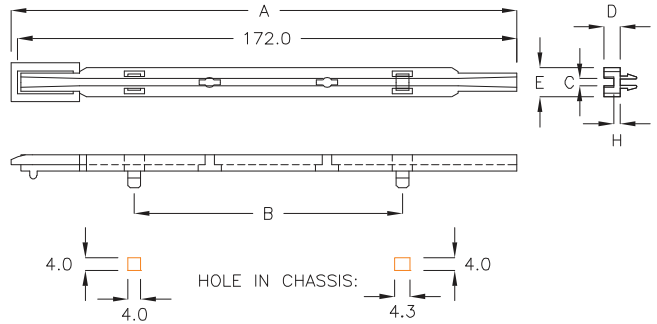


RoHS COMPLIANT

### Specifications:

**Material:** Nylon  
6/6  
**UL Rating:** 94V-2  
**Color:** Black

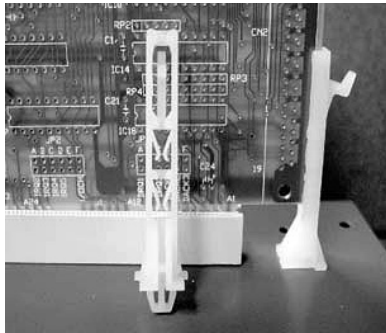
See Drawing for Mounting Details



| Part Number | Ref. "A",<br>mm [in.] | Ref. "B",<br>mm [in.] | Slot Width "C",<br>mm [in.] | Ref. "D",<br>mm [in.] | Ref. "E",<br>mm [in.] | Ref. "H",<br>mm [in.] | Max.<br>Chassis Thk.,<br>mm [in.] | Standard<br>Package |
|-------------|-----------------------|-----------------------|-----------------------------|-----------------------|-----------------------|-----------------------|-----------------------------------|---------------------|
| CBG-CG-17A  | 175.0 [6.890]         | 102.0 [4.016]         | 2.2 [0.087]                 | 5.0 [0.197]           | 9.0 [0.354]           | 2.0 [0.079]           | 1.6 [0.063]                       | 100                 |

## Vertical Tension Circuit Board Guide

### Vertical Snap-In Mount

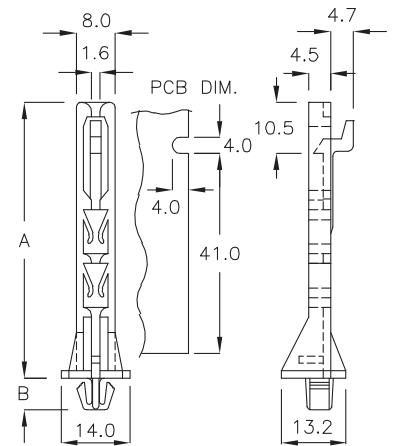


**RoHS COMPLIANT**

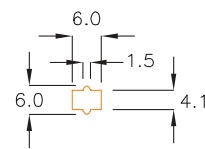
**Specifications:**

**Material:** Nylon 6/6  
**UL Rating:** 94V-2  
**Color:** Natural

See Drawing for Mounting Details



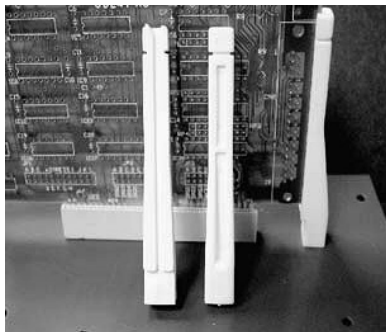
HOLE IN CHASSIS:  
 MAXIMUM THICKNESS: 1.6



| Part Number | Ref. "A",<br>mm [in.] | Ref. "B",<br>mm [in.] | Standard<br>Package |
|-------------|-----------------------|-----------------------|---------------------|
| CBG-HCG-5   | 56.5 [2.224]          | 6.5 [0.256]           | 200                 |

## Vertical Circuit Board Guide

### Vertical Screw Mount

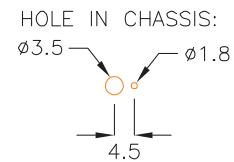
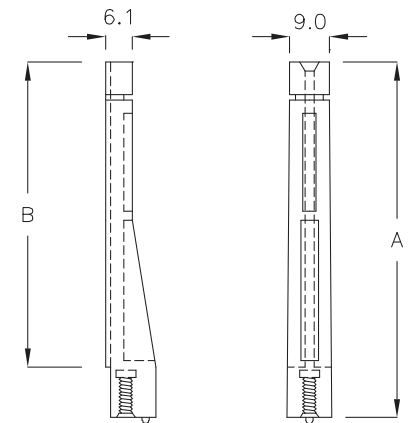


**RoHS COMPLIANT**

**Specifications:**

**Material:** Nylon 6/6  
**UL Rating:** 94V-2  
**Color:** Natural  
**Screw\*:** M3x10mm

See Drawing for Mounting Details  
 \*Screw Not Included



| Part Number | Ref. "A",<br>mm [in.] | Ref. "B",<br>mm [in.] | Standard<br>Package |
|-------------|-----------------------|-----------------------|---------------------|
| CBG-HCG-9   | 89.2 [3.512]          | 77.2 [3.039]          | 50                  |
| CBG-HCG-13  | 130.0 [5.118]         | 118.5 [4.665]         |                     |

all dimension units in millimeter (mm) unless noted otherwise

www.vaisis.com | P: 626-795-6696 | F: 626-795-6896 | Email: sales@vaisis.com