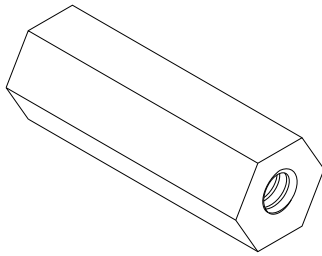


Standard Hex Standoff

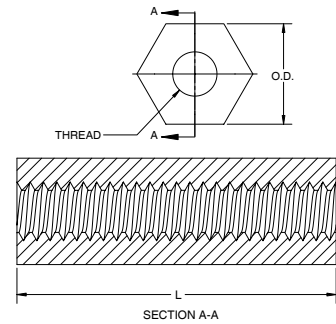
HSFF Series, Female-Female



RoHS COMPLIANT

Specifications:

Material: Nylon 6/6
UL Rating: 94V-2
Color: Natural
Available Thread Sizes: 2-56, 4-40, 6-32, 8-32
Customized Length: Available



Part Number	Length "L", mm [in.]	Standard Package	
Thread Size = 2-56 O.D. = 4.8 mm [0.187 in.]		2-56	
HSFF-256-0094	2.4 [0.094]	2000	
HSFF-256-0125	3.2 [0.125]		
HSFF-256-0156	4.0 [0.156]		
HSFF-256-0188	4.8 [0.188]		
HSFF-256-0219	5.6 [0.219]		
HSFF-256-0250	6.4 [0.250]		
HSFF-256-0281	7.1 [0.281]		
HSFF-256-0313	7.9 [0.313]		
HSFF-256-0344	8.7 [0.344]		
HSFF-256-0375	9.5 [0.375]		
HSFF-256-0406	10.3 [0.406]		
HSFF-256-0438	11.1 [0.438]		
HSFF-256-0469	11.9 [0.469]		
HSFF-256-0500	12.7 [0.500]		
HSFF-256-0563	14.3 [0.563]		
Thread Size = 4-40 O.D. = 6.4 mm [0.250 in.]		4-40	
HSFF-440-0188	4.8 [0.188]	2000	
HSFF-440-0219	5.6 [0.219]		
HSFF-440-0250	6.4 [0.250]		
HSFF-440-0281	7.1 [0.281]		
HSFF-440-0313	7.9 [0.313]		
HSFF-440-0344	8.7 [0.344]		
HSFF-440-0375	9.5 [0.375]		
HSFF-440-0406	10.3 [0.406]		
HSFF-440-0438	11.1 [0.438]		
HSFF-440-0469	11.9 [0.469]		
HSFF-440-0500	12.7 [0.500]		
HSFF-440-0563	14.3 [0.563]		
HSFF-440-0625	15.9 [0.625]		1000
HSFF-440-0688	17.5 [0.688]		
HSFF-440-0750	19.1 [0.750]		
HSFF-440-0813	20.6 [0.813]		
HSFF-440-0875	22.2 [0.875]		
HSFF-440-0938	23.8 [0.938]		
HSFF-440-1000	25.4 [1.000]		
HSFF-440-1125	28.6 [1.125]		
HSFF-440-1250	31.8 [1.250]		
HSFF-440-1375	34.9 [1.375]		

Part Number	Length "L", mm [in.]	Standard Package	
Thread Size = 6-32 O.D. = 6.4 mm [0.250 in.]		6-32	
HSFF-632-0250	6.4 [0.250]	2000	
HSFF-632-0281	7.1 [0.281]		
HSFF-632-0313	7.9 [0.313]		
HSFF-632-0344	8.7 [0.344]		
HSFF-632-0375	9.5 [0.375]		
HSFF-632-0406	10.3 [0.406]		
HSFF-632-0438	11.1 [0.438]		
HSFF-632-0469	11.9 [0.469]		
HSFF-632-0500	12.7 [0.500]		
HSFF-632-0563	14.3 [0.563]		
HSFF-632-0625	15.9 [0.625]		1000
HSFF-632-0688	17.5 [0.688]		
HSFF-632-0750	19.1 [0.750]		
HSFF-632-0813	20.6 [0.813]		
HSFF-632-0875	22.2 [0.875]		
HSFF-632-0938	23.8 [0.938]		
HSFF-632-1000	25.4 [1.000]		
HSFF-632-1125	28.6 [1.125]		
HSFF-632-1250	31.8 [1.250]		
HSFF-632-1375	34.9 [1.375]		

Part Number	Length "L", mm [in.]	Standard Package	
Thread Size = 8-32 O.D. = 6.4 mm [0.250 in.]		8-32	
HSFF-832-0250	6.4 [0.250]	2000	
HSFF-832-0281	7.1 [0.281]		
HSFF-832-0313	7.9 [0.313]		
HSFF-832-0344	8.7 [0.344]		
HSFF-832-0375	9.5 [0.375]		
HSFF-832-0406	10.3 [0.406]		
HSFF-832-0438	11.1 [0.438]		
HSFF-832-0469	11.9 [0.469]		
HSFF-832-0500	12.7 [0.500]		
HSFF-832-0563	14.3 [0.563]		
HSFF-832-0625	15.9 [0.625]		1000
HSFF-832-0688	17.5 [0.688]		
HSFF-832-0750	19.1 [0.750]		
HSFF-832-0813	20.6 [0.813]		
HSFF-832-0875	22.2 [0.875]		
HSFF-832-0938	23.8 [0.938]		
HSFF-832-1000	25.4 [1.000]		
HSFF-832-1125	28.6 [1.125]		
HSFF-832-1250	31.8 [1.250]		
HSFF-832-1375	34.9 [1.375]		

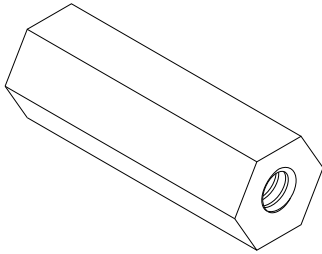
Custom Order Options:

Material: Nylon 66/Polycarbonate (PC)
UL Rating: 94V-2/94V-0
Color: Natural/Black
Length: Customized
Thread Sizes: 2-56, 4-40, 6-32, 8-32, Unthreaded (For Self-Tapping Screws)

all dimension units in millimeter (mm) unless noted otherwise

www.vaisis.com | P: 626-795-6696 | F: 626-795-6896 | Email: sales@vaisis.com

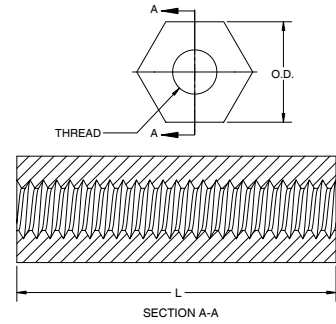
Metric Hex Standoff HSFF Series, Female-Female



RoHS COMPLIANT

Specifications:

Material: Nylon 6/6
UL Rating: 94V-2
Color: Natural
Available Thread Sizes: M2, M2.5, M3, M4, M5
Customized Length: Available



Part Number	Length "L", mm [in.]	Standard Package
Thread size = M2 x 0.4 mm O.D = 4.5 mm [0.177 in.]		M2
HSFF-M2-020	2.0 [0.079]	2000
HSFF-M2-040	4.0 [0.157]	
HSFF-M2-050	5.0 [0.197]	
HSFF-M2-064	6.4 [0.250]	
HSFF-M2-080	8.0 [0.315]	
HSFF-M2-095	9.5 [0.375]	
HSFF-M2-100	10.0 [0.394]	
HSFF-M2-127	12.7 [0.500]	
HSFF-M2-140	14.0 [0.551]	
HSFF-M2-150	15.0 [0.591]	
Thread size = M2.5 x 0.45 mm O.D = 5.0 mm [0.197 in.]		M2.5
HSFF-M25-025	2.5 [0.098]	2000
HSFF-M25-040	4.0 [0.157]	
HSFF-M25-050	5.0 [0.197]	
HSFF-M25-064	6.4 [0.250]	
HSFF-M25-080	8.0 [0.315]	
HSFF-M25-095	9.5 [0.375]	
HSFF-M25-100	10.0 [0.394]	
HSFF-M25-127	12.7 [0.500]	
HSFF-M25-140	14.0 [0.551]	
HSFF-M25-150	15.0 [0.591]	
Thread size = M3 x 0.5 mm O.D = 5.5 mm [0.217 in.]		M3
HSFF-M3-030	3.0 [0.118]	2000
HSFF-M3-060	6.0 [0.236]	
HSFF-M3-064	6.4 [0.250]	
HSFF-M3-080	8.0 [0.315]	
HSFF-M3-095	9.5 [0.375]	
HSFF-M3-100	10.0 [0.394]	1000
HSFF-M3-120	12.0 [0.472]	
HSFF-M3-127	12.7 [0.500]	
HSFF-M3-140	14.0 [0.551]	
HSFF-M3-150	15.0 [0.591]	
HSFF-M3-159	15.9 [0.625]	

Part Number	Length "L", mm [in.]	Standard Package	
Thread size = M3 x 0.5 mm O.D = 5.5 mm [0.217 in.]		M3	
HSFF-M3-180	18.0 [0.709]	1000	
HSFF-M3-191	19.1 [0.750]		
HSFF-M3-200	20.0 [0.787]		
HSFF-M3-222	22.2 [0.875]		
HSFF-M3-240	24.0 [0.945]		
HSFF-M3-250	25.0 [0.984]		
HSFF-M3-254	25.4 [1.000]		
HSFF-M3-300	30.0 [1.181]		
Thread size = M4 x 0.7 mm O.D = 7.0 mm [0.276 in.]			M4
HSFF-M4-060	6.0 [0.236]		1000
HSFF-M4-064	6.4 [0.250]		
HSFF-M4-080	8.0 [0.315]		
HSFF-M4-095	9.5 [0.375]		
HSFF-M4-100	10.0 [0.394]		
HSFF-M4-120	12.0 [0.472]		
HSFF-M4-127	12.7 [0.500]		
HSFF-M4-140	14.0 [0.551]		
HSFF-M4-150	15.0 [0.591]		
HSFF-M4-159	15.9 [0.625]		
HSFF-M4-180	18.0 [0.709]		
HSFF-M4-191	19.1 [0.750]		
HSFF-M4-200	20.0 [0.787]		
HSFF-M4-222	22.2 [0.875]		
HSFF-M4-250	25.0 [0.984]		
HSFF-M4-254	25.4 [1.000]		
HSFF-M4-300	30.0 [1.181]		
HSFF-M4-350	35.0 [1.378]		

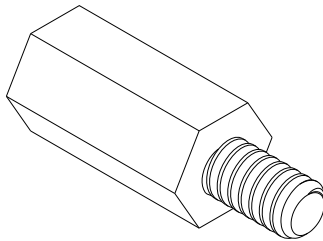
Part Number	Length "L", mm [in.]	Standard Package
Thread size = M5 x 0.8 mm O.D = 8.0 mm [0.315 in.]		M5
HSFF-M5-050	5.0 [0.197]	1000
HSFF-M5-060	6.0 [0.236]	
HSFF-M5-064	6.4 [0.250]	
HSFF-M5-080	8.0 [0.315]	
HSFF-M5-095	9.5 [0.375]	
HSFF-M5-100	10.0 [0.394]	
HSFF-M5-120	12.0 [0.472]	
HSFF-M5-127	12.7 [0.500]	
HSFF-M5-140	14.0 [0.551]	
HSFF-M5-150	15.0 [0.591]	
HSFF-M5-159	15.9 [0.625]	
HSFF-M5-160	16.0 [0.630]	
HSFF-M5-180	18.0 [0.709]	
HSFF-M5-191	19.1 [0.750]	
HSFF-M5-200	20.0 [0.787]	
HSFF-M5-222	22.2 [0.875]	
HSFF-M5-250	25.0 [0.984]	
HSFF-M5-254	25.4 [1.000]	
HSFF-M5-300	30.0 [1.181]	

Custom Order Options:

Material: Nylon 66/Polycarbonate (PC)
UL Rating: 94V-2/94V-0
Color: Natural/Black
Length: Customized
Thread Sizes: M2, M2.5, M3, M4, M5
 Unthreaded (For Self-Tapping Screws)

Standard Hex Standoff

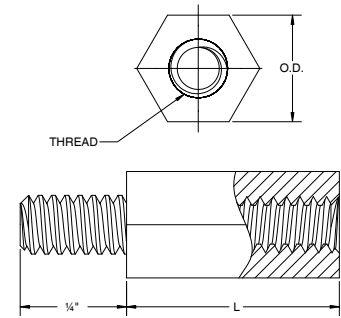
HSMF Series, Male-Female



RoHS COMPLIANT

Specifications:

Material: Nylon 6/6
UL Rating: 94V-2
Color: Natural
Available Thread Sizes: 4-40, 6-32, 8-32
Customized Length: Available



Part Number	Length "L", mm [in.]	Standard Package
Thread Size = 4-40 O.D. = 6.4 mm [0.250 in.]		4-40
HSMF-440-0188	4.8 [0.188]	2000
HSMF-440-0219	5.6 [0.219]	
HSMF-440-0250	6.4 [0.250]	
HSMF-440-0281	7.1 [0.281]	
HSMF-440-0313	7.9 [0.313]	
HSMF-440-0344	8.7 [0.344]	
HSMF-440-0375	9.5 [0.375]	
HSMF-440-0406	10.3 [0.406]	
HSMF-440-0438	11.1 [0.438]	
HSMF-440-0469	11.9 [0.469]	
HSMF-440-0500	12.7 [0.500]	1000
HSMF-440-0563	14.3 [0.563]	
HSMF-440-0625	15.9 [0.625]	
HSMF-440-0688	17.5 [0.688]	
HSMF-440-0750	19.1 [0.750]	
HSMF-440-0813	20.6 [0.813]	
HSMF-440-0875	22.2 [0.875]	
HSMF-440-0938	23.8 [0.938]	
HSMF-440-1000	25.4 [1.000]	
HSMF-440-1125	28.6 [1.125]	
HSMF-440-1250	31.8 [1.250]	
HSMF-440-1375	34.9 [1.375]	

Part Number	Length "L", mm [in.]	Standard Package
Thread Size = 6-32 O.D. = 6.4 mm [0.250 in.]		6-32
HSMF-632-0250	6.4 [0.250]	2000
HSMF-632-0281	7.1 [0.281]	
HSMF-632-0313	7.9 [0.313]	
HSMF-632-0344	8.7 [0.344]	
HSMF-632-0375	9.5 [0.375]	
HSMF-632-0406	10.3 [0.406]	
HSMF-632-0438	11.1 [0.438]	
HSMF-632-0469	11.9 [0.469]	
HSMF-632-0500	12.7 [0.500]	
HSMF-632-0563	14.3 [0.563]	
HSMF-632-0625	15.9 [0.625]	
HSMF-632-0688	17.5 [0.688]	
HSMF-632-0750	19.1 [0.750]	
HSMF-632-0813	20.6 [0.813]	
HSMF-632-0875	22.2 [0.875]	
HSMF-632-0938	23.8 [0.938]	
HSMF-632-1000	25.4 [1.000]	
HSMF-632-1125	28.6 [1.125]	
HSMF-632-1250	31.8 [1.250]	
HSMF-632-1375	34.9 [1.375]	

Part Number	Length "L", mm [in.]	Standard Package
Thread Size = 8-32 O.D. = 6.4 mm [0.250 in.]		8-32
HSMF-832-0250	6.4 [0.250]	2000
HSMF-832-0281	7.1 [0.281]	
HSMF-832-0313	7.9 [0.313]	
HSMF-832-0344	8.7 [0.344]	
HSMF-832-0375	9.5 [0.375]	
HSMF-832-0406	10.3 [0.406]	
HSMF-832-0438	11.1 [0.438]	
HSMF-832-0469	11.9 [0.469]	
HSMF-832-0500	12.7 [0.500]	
HSMF-832-0563	14.3 [0.563]	
HSMF-832-0625	15.9 [0.625]	
HSMF-832-0688	17.5 [0.688]	
HSMF-832-0750	19.1 [0.750]	
HSMF-832-0813	20.6 [0.813]	
HSMF-832-0875	22.2 [0.875]	
HSMF-832-0938	23.8 [0.938]	
HSMF-832-1000	25.4 [1.000]	
HSMF-832-1125	28.6 [1.125]	
HSMF-832-1250	31.8 [1.250]	
HSMF-832-1375	34.9 [1.375]	

Custom Order Options:

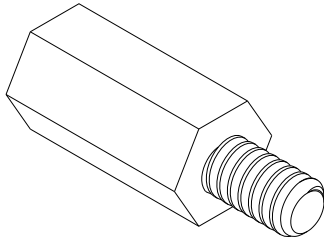
Material: Nylon 66/Polycarbonate (PC)
UL Rating: 94V-2/94V-0
Color: Natural/Black
Length: Customized
Thread Sizes: 4-40, 6-32, 8-32, Unthreaded (For Self-Tapping Screws)

all dimension units in millimeter (mm) unless noted otherwise

www.vaisis.com | P: 626-795-6696 | F: 626-795-6896 | Email: sales@vaisis.com

Vaisis

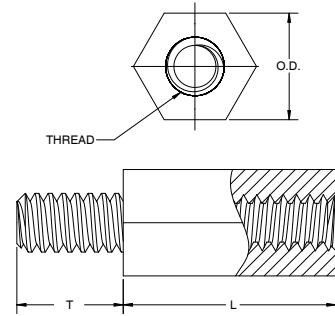
Metric Hex Standoff HSMF Series, Male-Female



RoHS COMPLIANT

Specifications:

Material: Nylon 6/6
UL Rating: 94V-2
Color: Natural
Available Thread Sizes: M2, M2.5, M3, M4, M5
Customized Length: Available



Part Number	Length "L", mm [in.]	Ref. "T", mm [in.]	Std. Pkg.	
M2				
Thread Size = M2 x 0.4mm O.D. = 4.0 mm [0.157 in.]				
HSMF-M2-040	4.0 [0.157]	5.0 [0.197]	2000	
HSMF-M2-050	5.0 [0.197]	5.0 [0.197]		
HSMF-M2-060	6.0 [0.236]	5.0 [0.197]		
HSMF-M2-064	6.4 [0.250]	5.0 [0.197]		
HSMF-M2-080	8.0 [0.315]	5.0 [0.197]		
HSMF-M2-095	9.5 [0.375]	5.0 [0.197]		
HSMF-M2-100	10.0 [0.394]	5.0 [0.197]		
HSMF-M2-120	12.0 [0.472]	5.0 [0.197]		
HSMF-M2-127	12.7 [0.500]	5.0 [0.197]		
HSMF-M2-140	14.0 [0.551]	5.0 [0.197]		
HSMF-M2-150	15.0 [0.591]	5.0 [0.197]		
M2.5				
Thread Size = M2.5 x 0.45mm O.D. = 5.0 mm [0.197 in.]				
HSMF-M25-050	5.0 [0.197]	5.0 [0.197]	2000	
HSMF-M25-060	6.0 [0.236]	5.0 [0.197]		
HSMF-M25-064	6.4 [0.250]	5.0 [0.197]		
HSMF-M25-080	8.0 [0.315]	5.0 [0.197]		
HSMF-M25-095	9.5 [0.375]	5.0 [0.197]		
HSMF-M25-100	10.0 [0.394]	5.0 [0.197]		
HSMF-M25-120	12.0 [0.472]	5.0 [0.197]		
HSMF-M25-127	12.7 [0.500]	5.0 [0.197]		
HSMF-M25-140	14.0 [0.551]	5.0 [0.197]		
HSMF-M25-150	15.0 [0.591]	5.0 [0.197]		
M3				
Thread Size = M3 x 0.5 mm O.D. = 5.5 mm [0.217 in.]				
HSMF-M3-030	3.0 [0.118]	6.0 [0.236]	2000	
HSMF-M3-037	3.7 [0.146]	6.0 [0.236]		
HSMF-M3-040	4.0 [0.157]	6.0 [0.236]		
HSMF-M3-050	5.0 [0.197]	6.0 [0.236]		
HSMF-M3-060	6.0 [0.236]	6.0 [0.236]		
HSMF-M3-064	6.4 [0.250]	6.0 [0.236]		
HSMF-M3-080	8.0 [0.315]	6.0 [0.236]		
HSMF-M3-090	9.0 [0.354]	6.0 [0.236]		
HSMF-M3-095	9.5 [0.375]	6.0 [0.236]		

Part Number	Length "L", mm [in.]	Ref. "T", mm [in.]	Std. Pkg.
M3			
Thread Size = M3 x 0.5 mm O.D. = 5.5 mm [0.217 in.]			
HSMF-M3-100	10.0 [0.394]	6.0 [0.236]	1000
HSMF-M3-120	12.0 [0.472]	6.0 [0.236]	
HSMF-M3-127	12.7 [0.500]	6.0 [0.236]	
HSMF-M3-140	14.0 [0.551]	6.0 [0.236]	
HSMF-M3-150	15.0 [0.591]	6.0 [0.236]	
HSMF-M3-159	15.9 [0.625]	6.0 [0.236]	
HSMF-M3-160	16.0 [0.630]	6.0 [0.236]	
HSMF-M3-180	18.0 [0.709]	6.0 [0.236]	
HSMF-M3-191	19.1 [0.750]	6.0 [0.236]	
HSMF-M3-200	20.0 [0.787]	6.0 [0.236]	
HSMF-M3-220	22.0 [0.866]	6.0 [0.236]	
HSMF-M3-222	22.2 [0.875]	6.0 [0.236]	
HSMF-M3-240	24.0 [0.945]	6.0 [0.236]	
HSMF-M3-250	25.0 [0.984]	6.0 [0.236]	
HSMF-M3-254	25.4 [1.000]	6.0 [0.236]	
HSMF-M3-270	27.0 [1.063]	6.0 [0.236]	
HSMF-M3-300	30.0 [1.181]	6.0 [0.236]	
M4			
Thread Size = M4 x 0.7 mm O.D. = 7.0 mm [0.276 in.]			
HSMF-M4-040	4.0 [0.157]	6.0 [0.236]	1000
HSMF-M4-050	5.0 [0.197]	6.0 [0.236]	
HSMF-M4-060	6.0 [0.236]	6.0 [0.236]	
HSMF-M4-064	6.4 [0.250]	6.0 [0.236]	
HSMF-M4-080	8.0 [0.315]	6.0 [0.236]	
HSMF-M4-085	8.5 [0.335]	6.0 [0.236]	
HSMF-M4-095	9.5 [0.375]	6.0 [0.236]	
HSMF-M4-100	10.0 [0.394]	6.0 [0.236]	
HSMF-M4-120	12.0 [0.472]	6.0 [0.236]	
HSMF-M4-127	12.7 [0.500]	6.0 [0.236]	
HSMF-M4-140	14.0 [0.551]	6.0 [0.236]	
HSMF-M4-150	15.0 [0.591]	6.0 [0.236]	
HSMF-M4-159	15.9 [0.625]	6.0 [0.236]	
HSMF-M4-160	16.0 [0.630]	6.0 [0.236]	
HSMF-M4-180	18.0 [0.709]	6.0 [0.236]	

Part Number	Length "L", mm [in.]	Ref. "T", mm [in.]	Std. Pkg.
M4			
Thread Size = M4 x 0.7 mm O.D. = 7.0 mm [0.276 in.]			
HSMF-M4-191	19.1 [0.750]	6.0 [0.236]	1000
HSMF-M4-200	20.0 [0.787]	6.0 [0.236]	
HSMF-M4-222	22.2 [0.875]	6.0 [0.236]	
HSMF-M4-240	24.0 [0.945]	6.0 [0.236]	
HSMF-M4-250	25.0 [0.984]	6.0 [0.236]	
HSMF-M4-254	25.4 [1.000]	6.0 [0.236]	
HSMF-M4-300	30.0 [1.181]	6.0 [0.236]	
M5			
Thread Size = M5 x 0.8 mm O.D. = 8.0 mm [0.315 in.]			
HSMF-M5-050	5.0 [0.197]	7.0 [0.276]	1000
HSMF-M5-060	6.0 [0.236]	7.0 [0.276]	
HSMF-M5-064	6.4 [0.250]	7.0 [0.276]	
HSMF-M5-080	8.0 [0.315]	7.0 [0.276]	
HSMF-M5-095	9.5 [0.375]	7.0 [0.276]	
HSMF-M5-100	10.0 [0.394]	7.0 [0.276]	
HSMF-M5-120	12.0 [0.472]	7.0 [0.276]	
HSMF-M5-127	12.7 [0.500]	7.0 [0.276]	
HSMF-M5-140	14.0 [0.551]	7.0 [0.276]	
HSMF-M5-150	15.0 [0.591]	7.0 [0.276]	
HSMF-M5-159	15.9 [0.625]	7.0 [0.276]	
HSMF-M5-160	16.0 [0.630]	7.0 [0.276]	
HSMF-M5-180	18.0 [0.709]	7.0 [0.276]	
HSMF-M5-191	19.1 [0.750]	7.0 [0.276]	
HSMF-M5-200	20.0 [0.787]	7.0 [0.276]	
HSMF-M5-220	22.0 [0.866]	7.0 [0.276]	
HSMF-M5-222	22.2 [0.875]	7.0 [0.276]	
HSMF-M5-240	24.0 [0.945]	7.0 [0.276]	
HSMF-M5-250	25.0 [0.984]	7.0 [0.276]	
HSMF-M5-254	25.4 [1.000]	7.0 [0.276]	
HSMF-M5-300	30.0 [1.181]	7.0 [0.276]	

Custom Order Options:

Material: Nylon 66/Polycarbonate (PC)
UL Rating: 94V-2/94V-0
Color: Natural/Black
Length: Customized
Thread Sizes: M2, M2.5, M3, M4, M5
 Unthreaded
 (For Self-Tapping Screws)